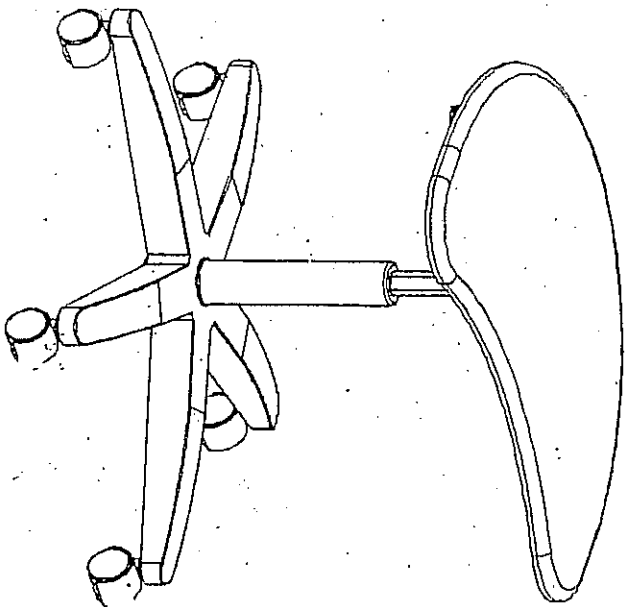


# POP

Adjustable Mobile Laptop Desk



Assembly Instructions

# POP

## Adjustable Mobile Laptop Desk


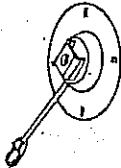
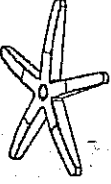

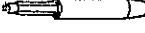


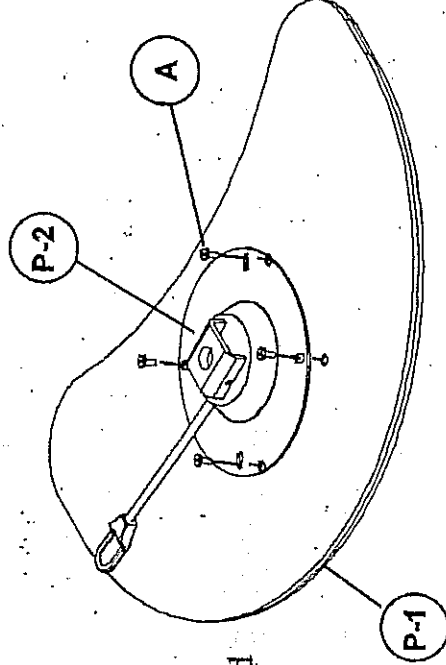
Part Drawing	Description	Qty	Part	Drawing	Description	Qty
	Top Platform	1 EA				
	Top Support	1 EA				
	Five Star Base	1 EA				
					<b>Hardware List</b>	
			A		Flat Head Screw	4 EA
			C		Cylinder	1 EA
			E		2 Caster	2 EA
			F		Allen Wrench	1 EA

Illustration # 1

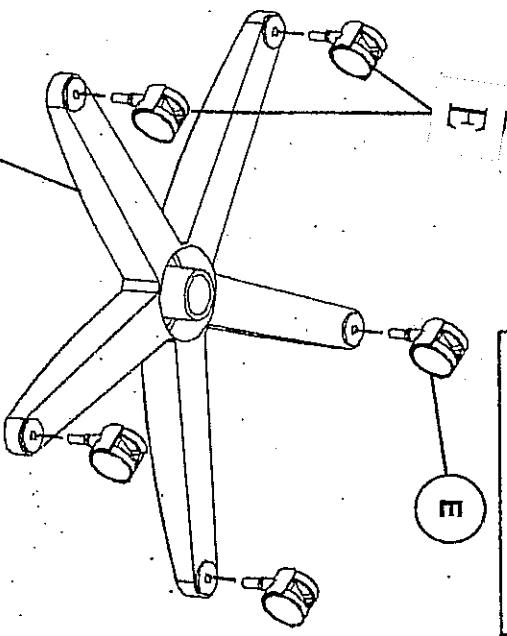


### To Assemble:

1. Identify and Separate all the Parts and Hardware.
2. Place the Top Panel (P-1) with the insert nuts facing up and attach Top Support (P-2) using 4 Flat Head screws (A) as shown in the Illustration # 1. Tighten the screws using Allen wrench (F)

# POP Assembly Diagram

Illustration # 2



3. Attach:  
4 Casters (E) to the Five Star Base (P-3) as shown in Illustration # 2.

4. Remove Plastic Cap from end of Cylinder Rod and Insert Cylinder (C) in the Top Support (P-2) as shown in Illustration # 3.

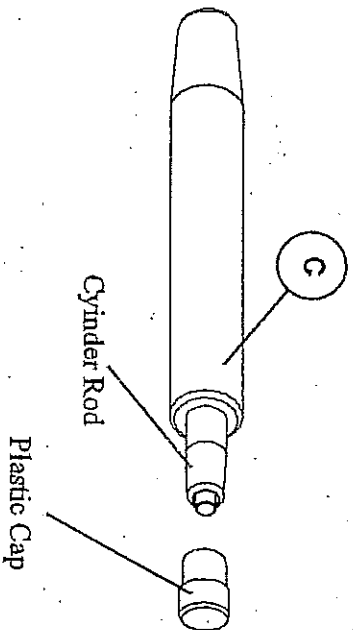
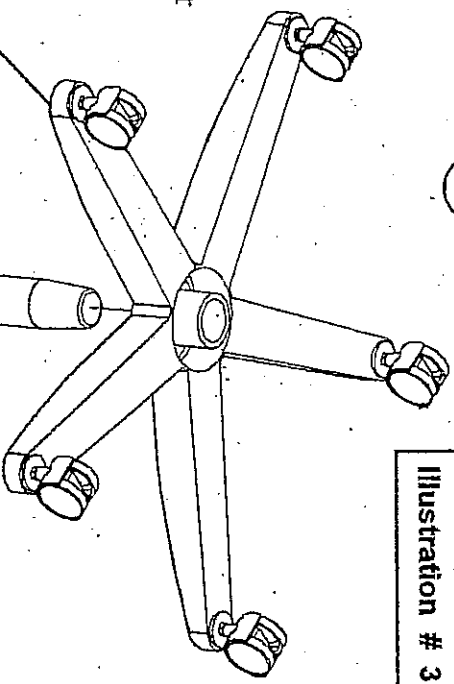
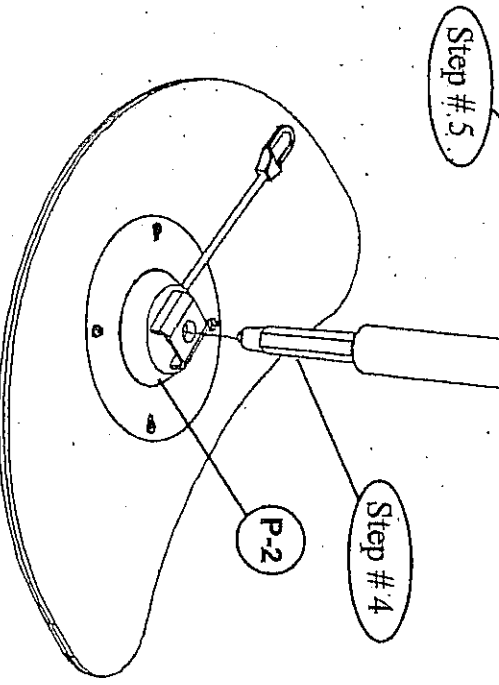


Illustration # 3



5. Attach Five Star Base (P-3) on the Cylinder (C). Place the unit in Upright position.



Do not use unless all screws are tight. At least every six months, check all screws to be sure they are tight. If parts are missing, broken, damaged, or worn, stop use of the product until repairs are made by your dealer using factory authorized parts.

