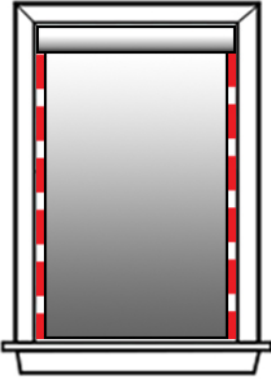


TrueView Manual Roller Shades Installation Instructions

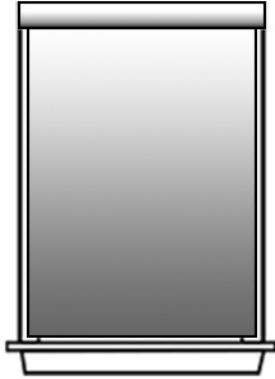
STEP 1: Choose a mounting option

INSIDE MOUNT



Shade sits inside window frame with **1/2" light gap**

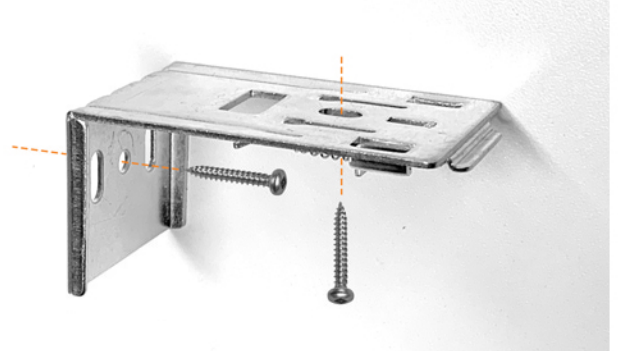
OUTSIDE MOUNT



Shade sits on top of window frame with **NO light gap**

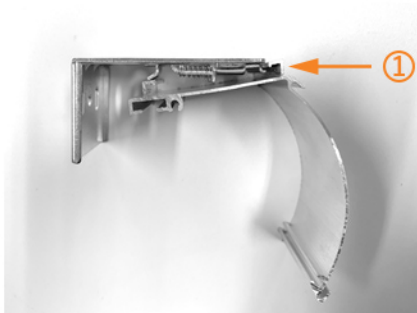
STEP 2: Install Brackets

Screw into frame at the back or top of bracket and ensure bracket is minimum 1 1/4" from end of cassette cover.

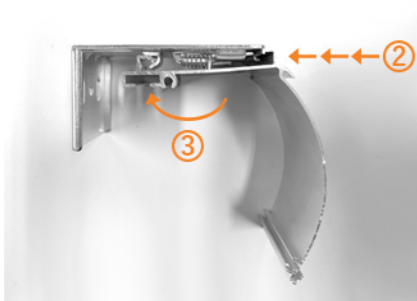


Caution: Screws provided are not applicable to all wall surfaces. Please use screws and anchors designed for your wall surface type.

STEP 3: Install roller shade into brackets



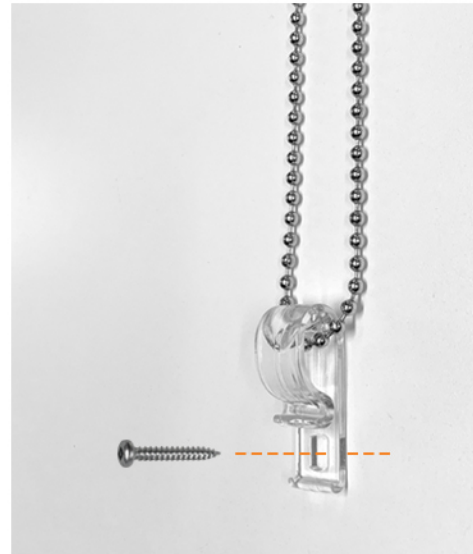
① Clip cassette on to bracket



② Push cassette backwards and clip onto bracket

*To remove: push cassette backward and pull down from back

STEP 4: Secure child safety hook to wall



Warning: Chain can pose a strangulation hazard to young children. Failure to secure chain to wall can cause injury or death.

Cleaning Instructions: Remove dust with vacuum cleaner. Do not scrub. Do not use solvents or any abrasive substance which might damage the fabric. Clean with a soft cloth and soapy water using mild detergent. Rinse clean with water. Leave the shade down until completely dry. You can also rub the fabric with a clean white eraser to remove small stains.

Warranty

Your roller shades are backed by our 5 year warranty from the date of purchase against defects in materials and workmanship during normal use.

Proof of purchase is required to file a claim. This warranty does not cover any conditions caused by normal wear and tear, unauthorized repairs, accidents, alterations, misuse, abuse, exposure to the elements, excessive humidity, fading, and failure to follow instructions for cleaning.

BOS Window Coverings Ltd., Scarborough, ON - 416-288-8441 - bos@boswindows.com