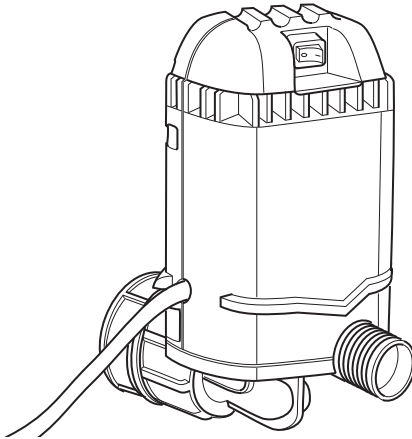


# **MULTIFIT™**

## **ACCESSORIES**

MODEL NO.  
**MP20000**



- **Safety**
- **Operation**
- **Assembly**
- **Repair Parts**

**QUESTIONS OR COMMENTS?  
CALL 1-888-240-0148**

- Español - página 13
- Français - page 25

Model and serial number may be found on the back of product. You should record model and serial number in a safe place for future use.

**⚠ WARNING: For your safety, read this owner's manual carefully.**

**SAVE THIS MANUAL FOR FUTURE REFERENCE**

# Table of Contents

Section	Page	Section	Page
Important Safety Instructions	.2	Multi-Fit Pump Assembly	.6
Safety Signal Words	.2	Operation	.7
Grounding Instructions	.4	Using Your Multi-Fit Pump	.8
Introduction	.5	Maintenance	.9
Unpacking and Checking		Troubleshooting	.9
Carton Contents	.5	Repair Parts	.10
Getting to Know Your Pump	.5	Warranty	.12

## IMPORTANT SAFETY INSTRUCTIONS

Safety is a combination of using common sense, staying alert, and knowing how your Multi-Fit Pump works.

### Safety Signal Words

**▲ DANGER:** Indicates a hazardous situation which, if not avoided, **will** result in death or serious injury.

**▲ WARNING:** Indicates a hazardous situation which, if not avoided, **could** result in death or serious injury.

**▲ CAUTION:** Indicates a hazardous situation which, if not avoided, **could** result in minor or moderate injury.

When using your Pump, always follow basic safety precautions including the following:

### **▲ WARNING -**

**To reduce the risk of fire, electric shock, or injury:**

Read and understand this operator's manual and all labels on the Multi-Fit Pump before operating. Use only as described in this manual.

- Do not operate this Multi-Fit Pump without being installed on a Wet/Dry Vac or without the strainer installed.
- Do not install pump, motor, or any electrical components below water level. This pump is not submersible.
- Do not leave pump or Vac running while unattended - you may fail to notice important signs indicating abnormal operation such as loss of suction or flow, or abnormal motor noises. Immediately stop using pump and Vac if you notice these signs.

- Do not use this Multi-Fit Pump near, or for pumping flammable or combustible liquids, gases, or explosive dusts, such as gasoline or other fuels, lighter fluid, cleaners, oil-based paints, natural gas, hydrogen, coal dust, magnesium dust, grain dust, or gun powder.
- Keep cord away from heated surfaces.
- Do not expose to rain. For indoor use only.
- Do not unplug by pulling on cord. To unplug, grasp the GFCI (Ground Fault Circuit Interrupt) plug, not the cord.
- Do not use with damaged cord, plug or other parts.
- **WARNING:** The power cord on this product contains lead, a chemical known in the State of California to cause birth defects or other reproductive harm. ***Wash hands after handling.***
- Do not use Multi-Fit Pump as a sprayer.
- If your Multi-Fit Pump is not working as it should, has missing parts, has been dropped, damaged, left outdoors, or dropped into water, return it to an Independent Service Center.
- Do not run pump dry. Damage may occur to pump.
- Do not pull or carry by cord, use cord as handle, close a door on cord, or pull cord around sharp edges or corners.
- Do not run Wet/Dry Vac over cord.
- Do not handle plug, the Wet/Dry Vac, or the Multi-Fit Pump with wet hands.
- To reduce the risk of health hazards from vapors or dusts, do not vacuum or pump toxic materials.

- Do not use or store near hazardous materials.
- Do not plug the Multi-Fit Pump into the same electrical circuit that is being used by the Wet/Dry Vac.
- For wet applications only. Do not attempt to pump dry debris, or debris of any kind.
- This pump is supplied with a grounding conductor and grounding-type attachment plug. To reduce the risk of electric shock, be certain that it is connected only to a properly grounded, grounding-type receptacle.
- Test GFCI before each use.
- Do not allow Multi-Fit Pump to be used as a toy. Close attention is necessary when used by or near children.
- Do not leave Multi-Fit Pump when plugged in. Unplug from outlet when not in use and before servicing. Turn off Multi-Fit Pump before unplugging.
- To reduce the risk of injury from accidental starting, unplug power cord before changing or cleaning strainer.
- Do not put any object into ventilation openings. Do not operate pump with any ventilation openings blocked; keep free of dust, lint, hair or anything that may reduce air flow.
- Keep hair, loose clothing, fingers, and all parts of body away from openings and moving parts.

Use this Multi-Fit Pump only as described in this manual.

Observe the following warnings that appear on the motor housing of your Multi-Fit Pump and GFCI housing.

**▲ WARNING**

**For your own safety, read and understand owner's manual. Do not run unattended. Do not pump toxic, flammable or other hazardous materials. Do not use around explosive liquids or vapors.**

**▲ WARNING**

**To reduce the risk of electrocution, complete the following steps:**

- 1) Plug in receptacle.
- 2) Press reset button. Indicator should be "ON".
- 3) Press test button. Indicator should be "OFF".
- 4) Press reset button for use. Do not use if test fails.

**▲ WARNING**

**To reduce risk of electrocution, do not use extension cord to connect GFCI to power receptacle.**

**▲ WARNING**

**To reduce risk of electric shock, connect only to a properly grounded, grounding-type receptacle. This pump has not been investigated for use in swimming pool or marine areas.**

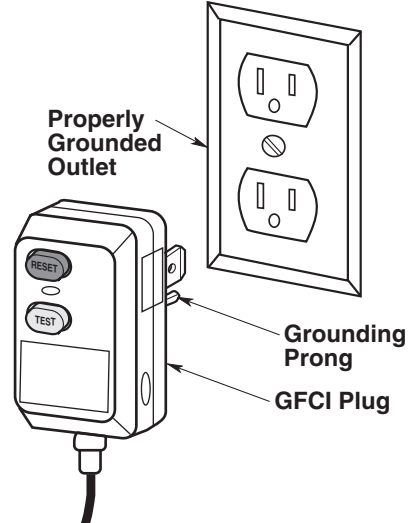
**SAVE THIS MANUAL**

## Grounding Instructions

This appliance must be grounded. If it should malfunction or break down, grounding provides a path of least resistance for electric current to reduce the risk of electric shock. The plug must be inserted into an appropriate outlet that is properly installed and grounded in accordance with all local codes and ordinances.

**⚠ WARNING: Risk of electric shock**  
- This pump is supplied with a grounding conductor and grounding-type attachment plug. To reduce the risk of electric shock, be certain that it is connected only to a properly grounded, grounding-type receptacle.

**⚠ WARNING: Check with a qualified electrician or service person if you are in doubt as to whether the outlet is properly grounded. Do not modify the plug provided with the appliance - if it will not fit the outlet, have a proper outlet installed by a qualified electrician.**



# Introduction

This Multi-Fit Pump is intended for indoor, household use only. When connected to a compatible Wet/Dry Vacuum, it may be used for light pumping of wet media.

Familiarize yourself with the following product and features and read the entire owner's manual for specific usage of your new Multi-Fit Pump.

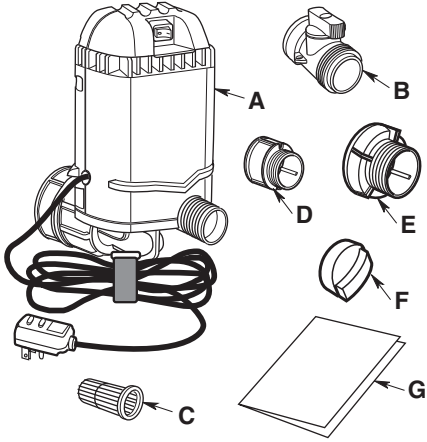
**IMPORTANT NOTE**  
Please Read This Manual Carefully

# Unpacking and Checking Carton Contents

Remove entire contents of carton. Check each item against the Carton Contents List. Contact 1-888-240-0148 if any parts are damaged or missing.

**Carton Contents List**

Key	Description	Qty.
A	Pump Accessory	1
B	Shut-Off Valve	1
C	Strainer	1
D	Small Adapter	1
E	Large Adapter	1
F	Drain Cap	1
G	Operators Manual	1

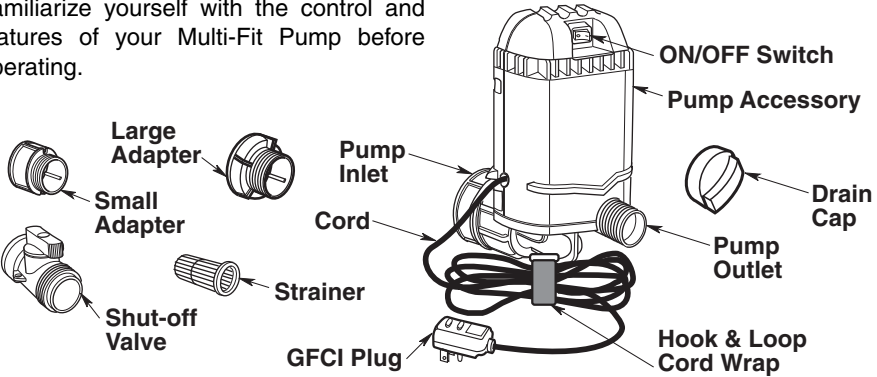


**Tools Required**

- Screwdriver

# Getting to Know Your Pump

Familiarize yourself with the control and features of your Multi-Fit Pump before operating.



## Multi-Fit Pump Assembly

Your Multi-Fit Pump will work on most Wet/Dry Vacuums that have a threaded drain at the bottom of the drum. When attaching the pump to the drain of your vacuum, you will use all of the parts included in this kit EXCEPT one of the adapters. To determine which of the adapters is needed, follow the assembly instructions below.

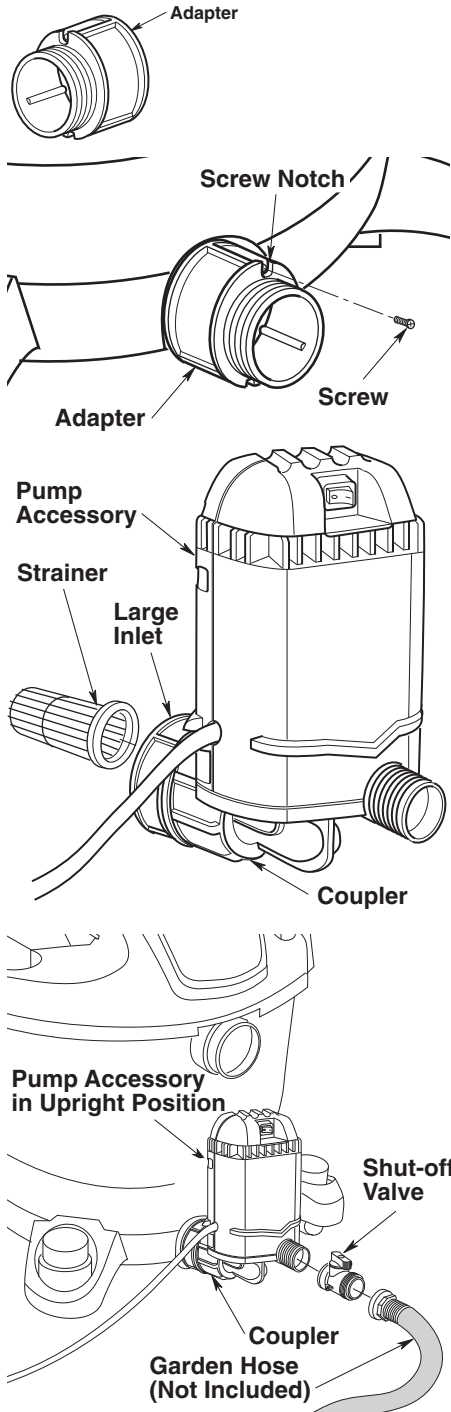
1. Measure the inside diameter of the drain on your vac. If the diameter is 2 inch, then you will need the larger adapter. If the diameter is 1-1/2 inch, you will need the smaller adapter. If you didn't get either of these measurements, this product will not work with your vacuum.
2. Thread the appropriate adapter onto the drain of your Wet/Dry Vac and firmly tighten by hand. Locate screw notch and install the supplied #6 x 5/8-inch long screw.

**NOTE:** The drain adapter is now a permanent fixture on your vacuum. Use the supplied Wet/Dry Vac drain cap when the pump is not in use.

3. Push the strainer into the large inlet of the pump assembly. With the strainer installed, slide the Multi-Fit Pump into the adapter previously installed on the vacuum, positioning the pump in an upright fashion. Tighten the coupler by hand until secure.

**NOTE:** The connection is designed to prohibit rotation of the pump after installation, so proper alignment must be achieved before the coupler has been tightened.

4. After the pump assembly is securely attached to the drain, the shut-off valve should be installed to the outlet of the pump and turned to the closed position. Without this shut-off valve, the pump will leak through the pump outlet. Connect a standard size garden hose (not included), up to 50 feet in length, to the outlet end of the shut-off valve. Longer lengths will cause reduced performance of the pump.



## Operation

**▲ WARNING:** To reduce the risk of fire, explosion, or damage to Pump or Vac:

- Do not leave Pump or Vac running while unattended - you may fail to notice important signs indicating abnormal operation such as loss of suction, debris/liquid exiting exhaust, or abnormal motor noises. Immediately stop using Pump or Vac if you notice these signs.
- Do not leave Pump or Vac plugged-in when not in use.
- Do not operate Pump or Vac in areas with flammable gases, vapors or explosive dust in the air. Sparks inside the motor can ignite airborne flammables. Flammable gases and vapors include: lighter fluid, solvent-type cleaners, oil-based paints, gasoline, alcohol, or aerosol sprays. Flammable dusts include: coal, magnesium, aluminum, grain, or gun powder.
- Do not pump out or vacuum up explosive dusts, flammable liquids, or hot ashes.
- Do not use Pump or Vac as a sprayer.

**▲ WARNING:** To reduce the risk of electric shock or injury:

- Do not expose to rain or allow liquid to enter motor compartment. Store indoors.
- Do not handle plug, switch, or unit with wet hands.
- Do not service while plugged-in. If your Pump or Vac is not working as it should, has missing parts, has been dropped, damaged, left outdoors, or dropped into water, return it to an independent service center or call customer service.
- Do not use an extension cord with your Pump.
- To reduce the risk of inhaling the vapors, do not pump or vacuum toxic liquids.

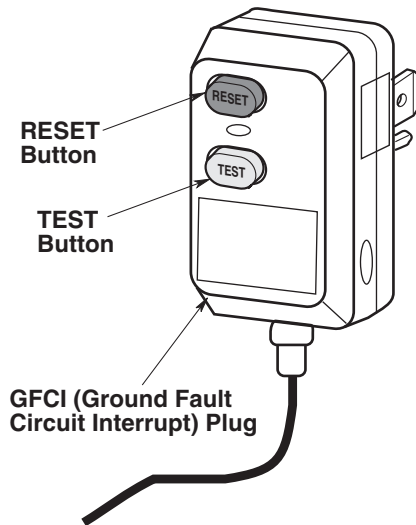
To reduce the risk of electric shock, this Multi-Fit Pump has a built-in GFCI (Ground Fault Circuit Interrupt) plug with a ground connection. The plug must be used on a properly-grounded outlet.

If the plug does not fit into the outlet, contact a qualified electrician to install the proper outlet. Do not modify the plug in any way.

After you plug the power cord into the outlet, you should always test the GFCI. Press the red "RESET" button to reset your Multi-Fit Pump. This has to be done each time the Multi-Fit Pump is plugged into an outlet. If the red "RESET" indicator does NOT pop up, your unit is not functioning properly and you should contact an Independent Service Center to have your Multi-Fit Pump serviced.

Once you have plugged the power cord into the outlet and the tested GFCI, you are ready to run your pump.

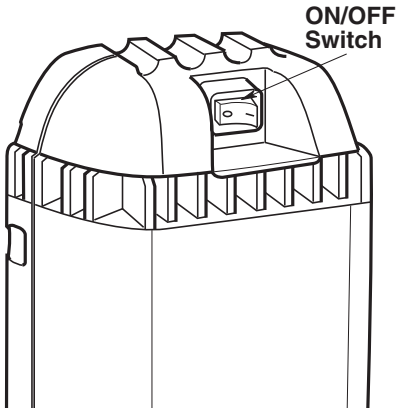
**NOTE:** The Multi-Fit Pump should not be operated at the same time as the Wet/Dry Vac.



## Using Your Multi-Fit Pump

Turn on the unit by pushing the switch from position "O" to position "I". The symbols used on the switch actuator are international "On & Off" symbols. "O" is the symbol for "OFF" and "I" is the symbol for "ON".

○ = OFF | = ON



Your Multi-Fit Pump will work best when being used to pump large amounts of liquid. If the liquid does not fill the drum so that it covers the drain on the inside of your Wet/Dry Vac, the pump may not function properly.

Due to the function of Wet/Dry Vac and the Multi-Fit Pump, the pump will not operate properly if your vac is running.

1. Make sure that your pump is connected to the drain of your vac (See Assembly), and that the GFCI is functioning properly. If you require a hose, connect it to the outlet of the pump.
2. Close the shut-off valve and vacuum up the intended liquid until your Wet/Dry Vac stops picking up the liquid or until all liquid is cleaned up.

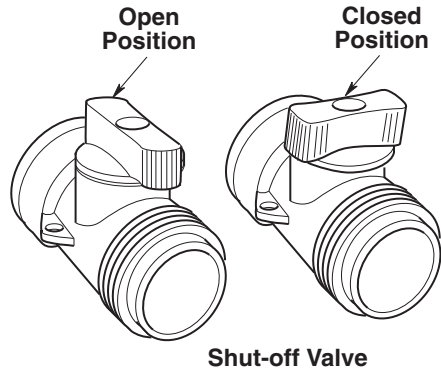
3. Turn your vac off, allowing it to stop completely. Position hose to the desired location to empty drum contents. Open the shut-off valve located between the outlet of the Multi-Fit Pump and the garden hose.
4. Turn your pump on allowing it to pump out as much of the liquid in the drum as possible. When you notice that the pump is no longer moving any water through the hose and the speed of the motor increases, turn the pump off.

**▲ WARNING: To reduce the risk of fire, do not run unattended.**

5. To verify drum is mostly empty, unplug the pump and vac, remove vacuum powerhead and inspect the drum contents. If liquid is still in drum, see "Troubleshooting" section on page 9.

**NOTE:** Do not run pump dry or damage may occur to internal components of the pump.

6. Unplug the pump, unplug and remove the powerhead of your Wet/Dry Vac and clear any debris that may have collected on or near the strainer of the pump. Reinstall the powerhead and repeat steps 2 through 5 as required.





# Maintenance

## Cleaning Strainer

**▲ WARNING: To reduce the risk of injury from accidental starting, unplug power cord before cleaning strainer.**

Your pump requires no additional lubrication or maintenance beyond keeping it clean and free of debris.

## Cleaning

Before storing the pump, it should be cleaned.

To clean the Multi-Fit Pump, rinse out your vac drum so that it is free of any debris. Fill the drum 3/4 of the way full with clean water and allow the pump to pump the water out. For vacuums under 12-gallons, perform this procedure twice. Remove the remaining water from the drum; remove the Multi-Fit Pump from the drain and install the supplied drain cap to the permanently installed drain adapter.

To keep your pump looking its best, clean the outside with a cloth dampened with warm water and mild soap. Remove any excess water or debris with a dry cloth.

## Cord Storage

Wrap the cord up and use the attached hook & loop strap to retain the cord.

## Storing the Multi-Fit Pump

When not in use, store your Multi-Fit Pump in a cool, dry location with the cord wrapped up using the supplied hook & loop cord wrap.

**▲ WARNING: Extreme temperatures can cause the motor seal to fail, allowing water into the motor.**

The original Wet/Dry Vac drain cap should then be installed on the drain adapter that has been permanently attached to the drain of your Wet/Dry Vac.

**▲ WARNING: To assure product SAFETY and RELIABILITY, repairs and adjustment should be performed by Independent Service Centers, always using replacement parts.**

# Troubleshooting

Problem	Remedy
<b>No Flow/Restricted Flow</b>	<ol style="list-style-type: none"> <li>1. Check strainer for clog.</li> <li>2. Make sure water is in vac drum.</li> <li>3. Check shut-off valve.</li> <li>4. Check for kink in hose.</li> <li>5. Make sure hose outlet does not exceed 50 feet in height.</li> </ol>
<b>Unit Does Not Turn On</b>	<ol style="list-style-type: none"> <li>1. Check GFCI - see page 7.</li> <li>2. Make sure Multi-Fit Pump is plugged in.</li> <li>3. Make sure switch is on.</li> <li>4. Check house circuit breaker/fuse.</li> </ol>
<b>Leaking</b>	<ol style="list-style-type: none"> <li>1. Check fit on adapter.</li> <li>2. Check coupler fit and "O" ring.</li> <li>3. Check shut-off valve fit and "O" ring.</li> <li>4. Check garden hose fit and make sure hose washer is in place.</li> </ol>
<b>Odor (Electrical)</b>	<ol style="list-style-type: none"> <li>1. Unplug Multi-Fit Pump.</li> <li>2. Check for blockage.</li> <li>3. If Multi-Fit Pump continues to have an electrical odor, return to an Independent Service Center.</li> </ol>

# Repair Parts

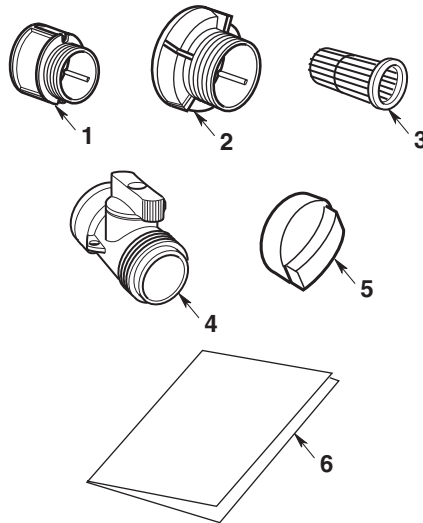
## Wet/Dry Vac Multi-Fit Pump Model No. MP20000

Always order by Part Number - Not by Key Number

### ▲ WARNING

**To reduce the risk of injury from electrical shock, unplug power cord before servicing the Wet/Dry Vac Multi-Fit Pump.**

Key No.	Part No.	Description
1	831575	Adapter (small)
2	831576	Adapter (large)
3	830949	Strainer
4	826814	Shut-Off Valve
5	73185	Drain Cap
6	SP6711	Owner's Manual







## Model Number: MP20000

### MULTI-FIT Limited Warranty

- **What Is Covered**

Multi-Fit electrical accessories are warranted to be free of defects in workmanship and material.

- **How Long Coverage Lasts**

This warranty lasts for one year from the date of purchase.

- **How To Obtain Service**

To obtain the benefit of this warranty, please call Customer Service at 1-888-240-0148. We will provide you specific details on our return policy. If the retailer's normal return policy has expired, the product must be shipped back to Emerson Tool Company via prepaid shipping for our inspection to determine if it is covered by warranty.

- **What We Will Do To Correct Problems**

If the product is covered by our warranty, we will either repair the unit or provide a new unit at no charge. If after three attempts to repair or replace during the warranty period the product is still defective, you can elect to receive a full refund of your purchase price. If we determine from our inspection that the product is not covered by this warranty, you may elect to have the product returned to you at your expense.

- **What Is Not Covered**

Failures due to misuse, abuse or normal wear and tear are not covered by this warranty. **EMERSON TOOL COMPANY SHALL NOT BE RESPONSIBLE FOR ANY INCIDENTAL OR CONSEQUENTIAL DAMAGES.**

- **How local laws relate to the warranty**

Some states do not allow the exclusion or limitation of incidental or consequential damages, so the above limitation or exclusion may not apply to you. This warranty gives you specific rights, and you may also have other rights which vary from state to state, province to province, or country to country.

- **No other express warranty applies**

This limited warranty is the sole and exclusive warranty for Multi-Fit products. No employee, agent, dealer, or other person is authorized to alter this warranty or make any other warranty on behalf of Emerson Tool Company.

**The model and serial numbers will be found on the back of product.**

**When requesting service or ordering parts, always provide the following information:**

- **Product Type**
- **Model Number**
- **Serial Number**
- **Part Number**

**QUESTIONS OR COMMENTS?**

**CALL 1-888-240-0148**



© 2009 Multi-Fit

St. Louis, MO

Part No. SP6711

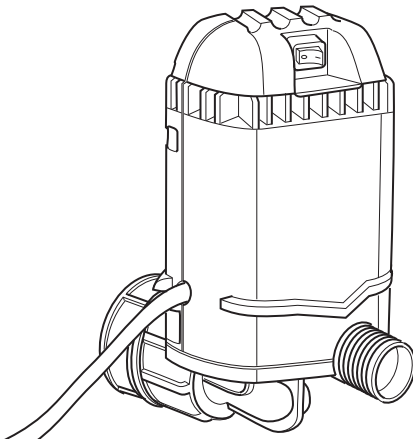
Form No. SP6711

Printed in China 03/09

# **MULTIFIT™**

## **ACCESSORIES**

NO. DE MODELO  
**MP20000**



- Seguridad
- Funcionamiento
- Ensamblaje
- Piezas de repuesto

¿PREGUNTAS O COMENTARIOS?  
**LLAME AL 1-888-240-0148**

• Français - page 25

El número de modelo y el número de serie se pueden encontrar en la parte trasera del producto. Debe anotar tanto el número de modelo como el de serie en un lugar seguro para uso futuro.

**▲ ADVERTENCIA:** Para su propia seguridad, lea detenidamente este manual del usuario.

**GUARDE ESTE MANUAL PARA REFERENCIA FUTURA**

# Indice

Artículo	Página	Artículo	Página
Instrucciones de seguridad importantes .....	14	Ensamblaje de bomba Multi-Fit.....	18
Palabras de señal de seguridad.....	14	Funcionamiento.....	19
Instrucciones de conexión a tierra.....	16	Utilización de la bomba Multi-Fit.....	20
Introducción .....	17	Mantenimiento .....	20
Desempaquetado y comprobación		Localización y resolución de problemas .....	21
del contenido de la caja de cartón .....	17	Piezas de repuesto .....	22
Familiarización con la bomba .....	17	Garantía.....	23

## INSTRUCCIONES DE SEGURIDAD IMPORTANTES

La seguridad es una combinación de usar el sentido común, mantenerse alerta y saber cómo funciona la bomba Multi-Fit.

### Palabras de señal de seguridad

▲ **PELIGRO:** indica una situación peligrosa que, si no se evita, **causará** la muerte o lesiones graves.

▲ **ADVERTENCIA:** indica una situación peligrosa que, si no se evita, **podría** causar la muerte o lesiones graves.

▲ **PRECAUCIÓN:** indica una situación peligrosa que, si no se evita, **podría** causar lesiones leves o moderadas o daños materiales.

Cuando utilice la bomba, siga siempre las precauciones básicas de seguridad, incluyendo las siguientes:

### ▲ **ADVERTENCIA**

**Para reducir el riesgo de incendio, sacudidas eléctricas o lesiones:**

- Lea y entienda este manual del operador y todas las etiquetas colocadas en la bomba Multi-Fit antes de utilizarla. Utilice la bomba únicamente de la manera que se describe en este manual.
- No utilice esta bomba Multi-Fit sin que esté instalada en una aspiradora para mojado/seco o sin tener la cesta de aspiración instalada.
- No instale la bomba, el motor ni ningún componente eléctrico por debajo del nivel del agua. Esta bomba no es sumergible.
- No tenga en marcha la bomba accesorio desatendida. Usted podría no notar señales importantes que indiquen un funcionamiento anormal, tal como pérdida de succión, residuos o líquido que salen por el escape o ruidos anormales del motor. Deje de usar inmediatamente la bomba y la aspiradora si observa estas señales.

- No utilice esta bomba Multi-Fit cerca de, ni para bombear, líquidos inflamables o combustibles, gases o polvos explosivos, tales como gasolina u otros combustibles, líquido encendedor, limpiadores, pinturas a base de aceite, gas natural, hidrógeno, polvo de carbón, polvo de magnesio, polvo de grano de cereal o pólvora.
- Mantenga el cordón alejado de las superficies calientes.
- No exponga la bomba accesorio a la lluvia. Para uso en interiores solamente.
- No desenchufe la bomba tirando del cordón de energía. Para desenchufarla, agarre el enchufe con GFCI (interruptor de circuito de falla conectado a tierra), no el cordón.
- No use la bomba con el cordón, el enchufe u otras piezas dañados.
- **ADVERTENCIA:** El cordón de energía de este producto contiene plomo, una sustancia química que según los conocimientos del estado de California causa defectos de nacimiento u otros daños a la reproducción. **Lávese las manos después de manejar el producto.**
- No utilice la bomba Multi-Fit como un rociador.
- Si la bomba Multi-Fit no está funcionando como debería, si le faltan piezas, si se ha caído o dañado, si se ha dejado a la intemperie o si se ha caído al agua, devuélvala a un Centro de Servicio independiente.
- No haga funcionar la bomba en seco. La bomba podría sufrir daños.
- No tire de la bomba usando el cordón ni la lleve por el cordón, ni use el cordón como asa, ni cierre una puerta sobre el cordón, ni tire del cordón alrededor de bordes o esquinas afilados.
- No pase la aspiradora para mojado/seco en marcha sobre el cordón.

- No maneje el enchufe, la aspiradora ni la bomba Multi-Fit con las manos mojadas.
- A fin de reducir los peligros para la salud debidos a vapores o polvos, no recoja con la aspiradora materiales tóxicos.
- No la use ni almacene cerca de materiales peligrosos.
- No enchufe la bomba Multi-Fit en el mismo circuito eléctrico que esté siendo utilizado por la aspiradora para mojado/seco.
- Esta bomba está diseñada solamente para aplicaciones con materiales mojados solamente. No intente bombear residuos secos ni de ninguna otra clase.
- Esta bomba se suministra con un conector de conexión a tierra y un enchufe tomacorriente de tipo de conexión a tierra. Para reducir el riesgo de descargas eléctricas, asegúrese de que la bomba esté conectada solamente a un tomacorriente de tipo de conexión a tierra que esté conectado a tierra adecuadamente.
- Compruebe el GFCI antes de cada uso.
- No permita que la bomba Multi-Fit se utilice como juguete. Se necesita prestar máxima atención cuando sea utilizada por niños o cerca de éstos.
- No abandone la bomba Multi-Fit cuando esté enchufada. Desenchúfela del tomacorriente cuando no la esté utilizando y antes de realizar servicio de ajustes y reparaciones. Apague la bomba accesoria antes de desconectarla.
- Para reducir el riesgo de lesiones debidas a un arranque accidental, desconchufe el cordón de energía antes de cambiar o limpiar la cesta.
- No ponga ningún objeto en las aberturas de ventilación. No utilice la bomba si tiene bloqueada cualquiera de sus aberturas de ventilación; manténgalas libres de polvo, pelusa, pelo o cualquier cosa que pueda reducir el flujo de aire.
- Mantenga el pelo, la ropa holgada, los dedos y todas las partes del cuerpo alejados de las aberturas y de las piezas móviles

Utilice esta bomba Multi-Fit solamente de la manera que se describe en este manual.

Haga caso de las siguientes advertencias que se encuentran en la carcasa del motor de la bomba Multi-Fit y en la carcasa del GFCI.

#### **⚠ ADVERTENCIA**

**Para su propia seguridad, lea y entienda el manual del usuario. No tenga en marcha la bomba desatendida. No bombee materiales tóxicos, materiales inflamables ni otros materiales peligrosos. No use la bomba alrededor de líquidos o vapores explosivos.**

#### **⚠ ADVERTENCIA**

**Para reducir el riesgo de electrocución, complete los pasos siguientes:**

- 1) Enchufe la bomba accesoria en un tomacorriente.**
- 2) Oprima el botón "RESET" (de restablecimiento). El indicador debería estar "ENCENDIDO".**
- 3) Oprima el botón "TEST" (de prueba). El indicador debería estar "APAGADO".**
- 4) Oprima el botón "RESET" (de restablecimiento) para utilizar la bomba accesoria. No use la bomba si la prueba falla.**

#### **⚠ ADVERTENCIA**

**Para reducir el riesgo de electrocución, no use un cordón de extensión para conectar el GFCI al tomacorriente.**

#### **⚠ ADVERTENCIA**

**Para reducir el riesgo de descargas eléctricas, conecte la bomba accesoria únicamente a un tomacorriente de tipo de conexión a tierra que esté conectado a tierra adecuadamente. No se ha estudiado la utilización de esta bomba en áreas de piscinas ni en áreas marinas.**

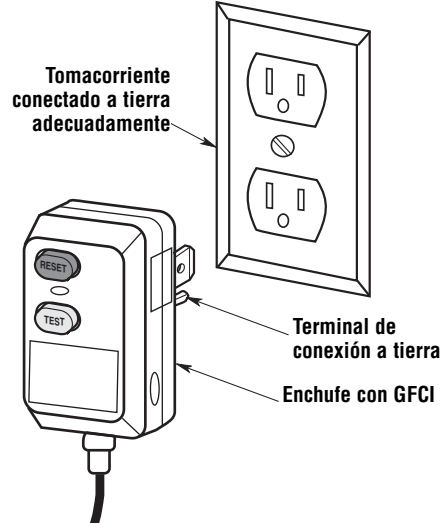
## **GUARDE ESTAS INSTRUCCIONES**

## Instrucciones de conexión a tierra

Este electrodoméstico se debe conectar a tierra. Si funciona incorrectamente o se avería, la conexión a tierra proporciona una ruta de resistencia mínima para la corriente eléctrica, con el fin de reducir el riesgo de descargas eléctricas. El enchufe se debe introducir en un tomacorriente adecuado que esté instalado adecuadamente y conectado a tierra apropiadamente de acuerdo con todos los códigos y ordenanzas locales.

**⚠ ADVERTENCIA: Riesgo de descargas eléctricas.** Esta bomba está equipada con un conductor de conexión a tierra y un enchufe de conexión de tipo de conexión a tierra. Para reducir el riesgo de descargas eléctricas, asegúrese de que esté conectado solamente a un tomacorriente de tipo de conexión a tierra que esté conectado a tierra adecuadamente.

**⚠ ADVERTENCIA: Consulte a un electricista calificado o una persona de servicio competente si tiene dudas sobre si el tomacorriente está conectado a tierra adecuadamente. No modifique el enchufe suministrado con el electrodoméstico. Si el enchufe no entra en el tomacorriente, haga que un electricista calificado instale un tomacorriente adecuado.**





## Introducción

Esta bomba Multi-Fit está diseñada solamente para uso doméstico en lugares interiores. Cuando se conecta a una aspiradora para mojado/seco compatible, se puede usar para el bombeo ligero de medios mojados.

Familiarícese con el siguiente producto y sus características, y lea todo el manual del usuario para conocer el uso específico de su nueva bomba Multi-Fit.

### NOTA IMPORTANTE

Por favor, léa cuidadosamente este manual

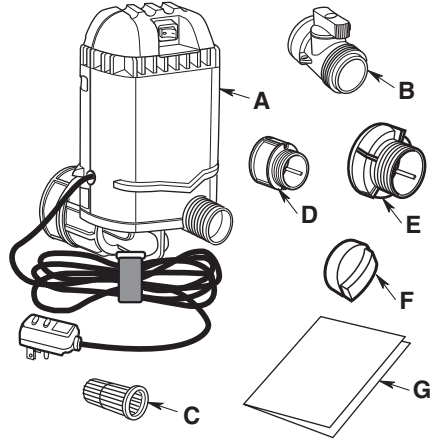
## Desempaquetado y comprobación del contenido de la caja de cartón

Saque todo el contenido de la caja de cartón. Asegúrese de que no falte ningún artículo utilizando la lista del contenido de la caja.

Póngase en contacto con (1-888-240-0148) si algunas piezas están dañadas o faltan.

### Lista del contenido de la caja de cartón

Clave	Descripción	Cant.
A	Bomba accesoria	1
B	Válvula de cierre	1
C	Cesta de aspiración	1
D	Adaptador pequeño	1
E	Adaptador grande	1
F	Tapa de drenaje	1
G	Manual del usuario	1

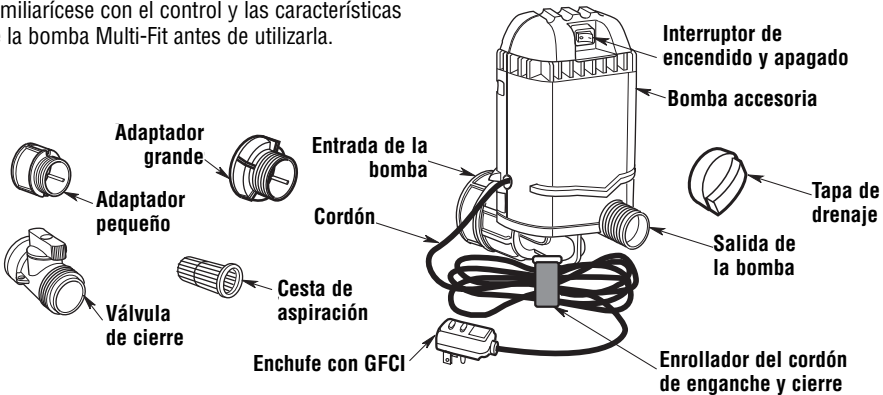


### Herramientas necesarias

- Destornillador

## Familiarización con la bomba

Familiarícese con el control y las características de la bomba Multi-Fit antes de utilizarla.



## Ensamblaje de la bomba Multi-Fit

La bomba Multi-Fit funcionará en la mayoría de aspiradoras para mojado/seco que tengan un drenaje roscado en la parte inferior del tambor. Cuando conecte la bomba al drenaje de su aspiradora, usted utilizará todas las piezas incluidas en este juego, EXCEPTO uno de los adaptadores. Para determinar cuál de los adaptadores se necesita, siga las instrucciones de ensamble que se indican a continuación.

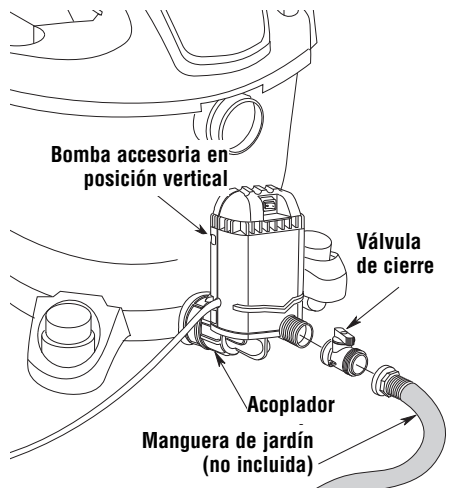
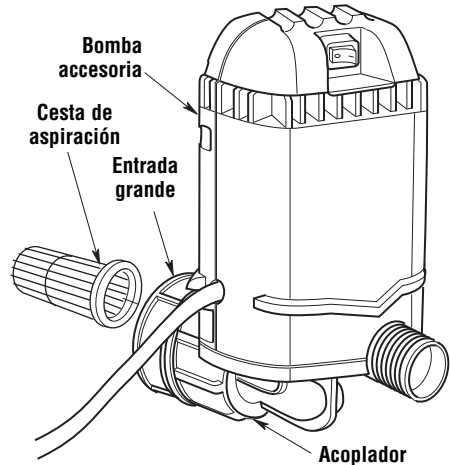
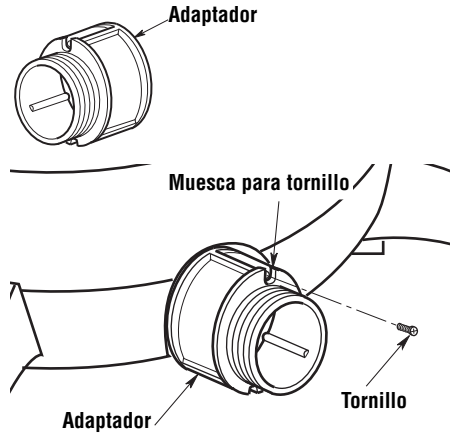
1. Mida el diámetro interior del drenaje de su aspiradora. Si el diámetro es de 2 pulgadas, entonces usted necesitará el adaptador más grande. Si el diámetro es de 1-1/2 pulgadas, usted necesitará el adaptador más pequeño. Si no obtuvo de esas medidas, este producto no funcionará con su aspiradora.
2. Enrosque el adaptador apropiado en el drenaje de su aspiradora para mojado/seco y apriételo firmemente a mano. Localice la muesca para el tornillo e instale el tornillo No. 6 x 5/8 de pulgada de longitud suministrado.

**NOTA:** Una vez hecho esto, el adaptador de drenaje será un elemento permanente de su aspiradora. Cuando no se esté utilizando la bomba, use la tapa del drenaje de la aspiradora para mojado/seco original.

3. Empuje la cesta de aspiración hacia el interior de la entrada grande de la bomba Multi-Fit. Con la cesta de aspiración instalada, deslice la bomba accesoria al interior del adaptador instalado previamente en la aspiradora, ubicando la bomba en posición vertical. Apriete a mano el acoplador hasta que esté firmemente sujeto.

**NOTA:** La conexión de la bomba está diseñada para impedir la rotación de la bomba después de la instalación, así que se debe lograr una alineación correcta antes de apretar el acoplador.

4. Después de instalar firmemente el conjunto de la bomba en el drenaje, se debe instalar la válvula de cierre en la salida de la bomba y se debe girar dicha válvula hasta la posición cerrada. Sin esta válvula de cierre, la bomba perderá líquido por su salida. Conecte una manguera de jardín de tamaño estándar (no incluida), de hasta 50 pies de longitud, al extremo de salida de la válvula de cierre. Las mangueras de más 50 pies de longitud causarán una reducción del rendimiento de la bomba.



## Funcionamiento

**⚠ ADVERTENCIA:** Para reducir el riesgo de incendio, explosión o daños a la bomba o la aspiradora

- No deje la bomba ni la aspiradora funcionando desatendidas. Usted podría no notar señales importantes que indiquen un funcionamiento anormal, tal como pérdida de succión, residuos o líquido que salen por el escape o ruidos anormales del motor. Deje de usar la aspiradora inmediatamente si observa estas señales.
- No deje la bomba ni la aspiradora enchufadas cuando no se estén utilizando
- No utilice la bomba ni la aspiradora en áreas con gases inflamables, vapores inflamables, vapores inflamables o polvo explosivo en el aire. Las chispas generadas dentro del motor pueden incendiar los materiales inflamables suspendidos en el aire. Los gases inflamables y los vapores inflamables incluyen: líquido encendedor, limpiadores tipo solvente, pinturas a base de aceite, gasolina, alcohol o rociadores tipo aerosol. Los polvos inflamables incluyen: polvo de carbón, polvo de magnesio, polvo de aluminio, polvo de grano de cereal o pólvora.
- No bombee ni recoja con la aspiradora polvos explosivos, líquidos inflamables ni cenizas calientes
- No utilice la bomba ni la aspiradora como rociador.

**⚠ ADVERTENCIA:** Para reducir el riesgo de descargas eléctricas o lesiones:

- No exponga la bomba a la lluvia ni deje que entre líquido en el compartimiento del motor. Almacene la bomba en un lugar interior.
- No maneje el enchufe, el interruptor ni la unidad con las manos mojadas.
- No haga servicio de ajustes y reparaciones mientras la unidad esté enchufada. Si la bomba o la aspiradora no está funcionando como debería, le faltan piezas, se ha caído, está dañada, se ha dejado a la intemperie o se ha caído al agua, devuélvala a un centro de servicio independiente o llame a servicio al cliente.
- No utilice un cordón de extensión con esta bomba.
- Para reducir el riesgo de inhalar vapores, no bombee líquidos tóxicos ni los recoja con la aspiradora.

Para reducir el riesgo de descargas eléctricas, esta bomba Multi-Fit tiene un enchufe con GFCI (interruptor de circuito de falla conectado a tierra) incorporado con un conexión a tierra. El enchufe se debe usar en un tomacorriente conectado a tierra adecuadamente.

Si el enchufe no entra en el tomacorriente, póngase en contacto con un electricista calificado para que instale el tomacorriente adecuado. No modifique el enchufe de ningún modo.

Después de enchufar el cordón de energía en el tomacorriente, usted debe comprobar siempre el GFCI. Oprima el botón "RESET" (de restablecimiento) rojo para reajustar la bomba Multi-Fit. Esto se tiene que hacer cada vez que la bomba accesoria se enchufe en un tomacorriente. Si el indicador "RESET" (de restablecimiento) rojo NO emerge, la unidad no está funcionando correctamente y usted debe ponerse en contacto con un Centro de Servicio Independiente para que la bomba Multi-Fit reciba servicio de ajustes y reparaciones.

Una vez que usted haya enchufado el cordón de energía en el tomacorriente y haya comprobado el GFCI, la bomba estará lista para utilizarse.

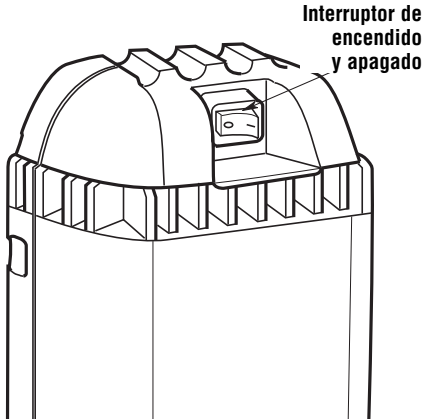
**NOTA:** La bomba Multi-Fit no se debe utilizar en el mismo circuito que la aspiradora para mojado/seco.



## Utilización de la bomba Multi-Fit

Encienda la unidad empujando el interruptor de la posición "O" a la posición "I". Los símbolos utilizados en el accionador del interruptor son los símbolos internacionales de "encendido y apagado". "O" es el símbolo de "APAGADO" y "I" es el símbolo de "ENCENDIDO".

○ = APAGADO | I = ENCENDIDO



La bomba Multi-Fit funcionará mejor cuando se utilice para bombear grandes cantidades de líquido. Si el líquido no llena el tambor de modo que cubra el drenaje en el interior de la aspiradora para mojado/seco, es posible que la bomba no funcione correctamente.

Debido a la función de la aspiradora para mojado/seco y la bomba Multi-Fit, la bomba no funcionará correctamente si la aspiradora está en marcha.

1. Asegúrese de que la bomba esté conectada al drenaje de la aspiradora (consulte la sección Ensamblaje) y que el GFCI esté funcionando correctamente. Si necesita una manguera, conéctela a la salida de la bomba.
2. Cierre la válvula de cierre y recoja con la aspiradora para mojado/seco el líquido que desee recoger, hasta que la aspiradora deje de recoger el líquido o hasta que se haya recogido todo el líquido.

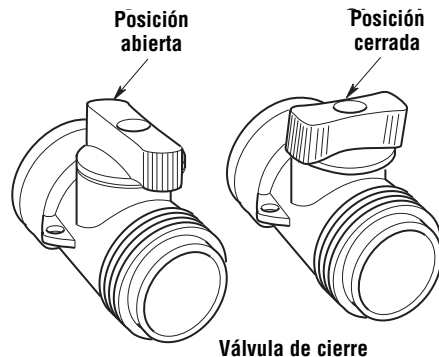
3. Apague la aspiradora y deje que se detenga por completo. Posicione la manguera en la ubicación deseada para vaciar el contenido del tambor. Abra la válvula de cierre ubicada entre la salida de la bomba Multi-Fit y la manguera de jardín.
4. Encienda la bomba y deje que saque tanto líquido del tambor como sea posible. Cuando note que la bomba ya no está moviendo nada de agua a través de la manguera y la velocidad del motor aumenta, apague la bomba.

**⚠ ADVERTENCIA:** Para reducir el riesgo de incendio, no deje desatendida la aspiradora mientras esté en marcha.

5. Para verificar que el tambor está prácticamente vacío, desenchufe la bomba y la aspiradora, quite el cabezal del motor de la aspiradora e inspeccione el contenido del tambor. Si todavía hay líquido en el tambor, consulte la sección "Localización y resolución de problemas" que se encuentra en la página 21.

**NOTA:** No haga funcionar la bomba en seco pues se podrían dañar sus componentes internos.

6. Desenchufe la bomba, desenchufe y quite el cabezal del motor de la aspiradora para mojado/seco y quite todos los residuos que se hayan acumulado en la cesta de aspiración de la bomba o cerca de dicha cesta. Reinstale el cabezal del motor y repita los pasos 2 a 5 según sea necesario.



## Mantenimiento

### Limpieza de la cesta de aspiración

**⚠ ADVERTENCIA:** Para reducir el riesgo de lesiones por causa de un arranque accidental, desenchufe el cordón de energía antes de limpiar la cesta de aspiración.

La bomba no requiere lubricación ni mantenimiento adicionales más allá de mantenerla limpia y libre de residuos.

### Limpieza

Antes de almacenar la bomba, es necesario limpiarla.

Para limpiar la bomba Multi-Fit, enjuague el tambor de la aspiradora hasta que no contenga ningún residuo. Llene el tambor hasta 3/4 de su capacidad con agua limpia y deje que la bomba bombee el agua hasta sacarla. En el caso de aspiradoras de menos de 12 galones, realice este procedimiento dos veces. Saque del tambor el agua restante; retire la bomba Multi-Fit del drenaje e instale la tapa del drenaje suministrada en el adaptador de drenaje instalado permanentemente.

Para mantener la bomba con el mejor aspecto posible, limpie su exterior con un paño humedecido con agua templada y un jabón suave. Quite todo exceso de agua o residuos con un paño seco.

### Almacenamiento del cordón

Enrolle el cordón y utilice la correa de enganche y cierre adjunta para sujetar el cordón.

### Almacenamiento de la bomba Multi-Fit

Cuando no esté usando la bomba Multi-Fit, almacénala en un lugar fresco y seco, con el cordón enrollado, utilizando el enrollador del cordón de enganche y cierre suministrado.

**⚠ ADVERTENCIA:** Las temperaturas extremas pueden hacer que el sello del motor falle, dejando que entre agua al motor.

La tapa del drenaje de la aspiradora para mojado/seco original se debe instalar entonces en el adaptador de drenaje que se ha colocado permanentemente en el drenaje de la aspiradora para mojado/seco.

**⚠ ADVERTENCIA:** Para garantizar la **SEGURIDAD y CONFIABILIDAD del producto**, las reparaciones y los ajustes deben realizarlos **Centros de Servicio autorizados, usando siempre piezas de repuesto.**

## Localización y resolución de problemas

Problema	Remedio
<b>No hay flujo o el flujo está restringido</b>	<ol style="list-style-type: none"> <li>1. Compruebe si la cesta de aspiración está obstruida.</li> <li>2. Asegúrese de que haya agua en el tambor de la aspiradora.</li> <li>3. Compruebe la válvula de cierre.</li> <li>4. Compruebe si hay algún retorcimiento o nudo en la manguera.</li> <li>5. Asegúrese de que la salida de la manguera no exceda de 50 pies.</li> </ol>
<b>La unidad no se enciende</b>	<ol style="list-style-type: none"> <li>1. Compruebe el GFCI: Consulte la página 19.</li> <li>2. Asegúrese de que la bomba accesoria esté enchufada.</li> <li>3. Asegúrese de que el interruptor esté en la posición de encendido.</li> <li>4. Compruebe el cortacircuito o el fusible del circuito doméstico.</li> </ol>
<b>Fugas</b>	<ol style="list-style-type: none"> <li>1. Compruebe el ajuste en el adaptador.</li> <li>2. Compruebe el ajuste del acoplador y la junta tórica.</li> <li>3. Compruebe el ajuste de la válvula de cierre y la junta tórica.</li> <li>4. Compruebe el ajuste de la manguera de jardín y asegúrese de que la arandela de la manguera esté colocada en su sitio.</li> </ol>
<b>Olor (eléctrico)</b>	<ol style="list-style-type: none"> <li>1. Desenchufe la bomba Multi-Fit.</li> <li>2. Compruebe si hay algún bloqueo.</li> <li>3. Si la bomba Multi-Fit sigue teniendo un olor eléctrico, devuélvala a un Centro de Servicio Independiente.</li> </ol>

## Piezas de repuesto

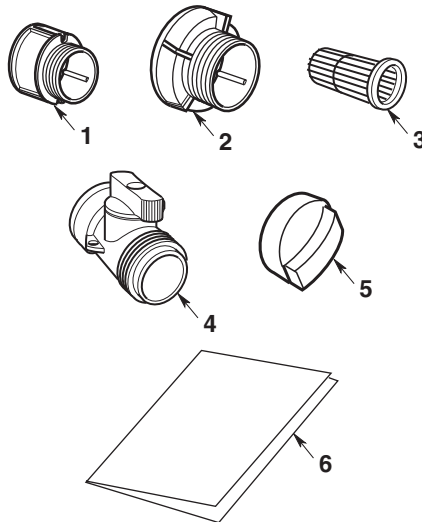
### Bomba Multi-Fit para aspiradoras para mojado/seco Número de modelo MP20000

Pida siempre por número de pieza —no por número de clave

#### ⚠ ADVERTENCIA

Para reducir el riesgo de lesiones por causa de descargas eléctricas, desenchufe el cordón de energía antes de hacer servicio de ajustes y reparaciones a la bomba Multi-Fit para aspiradoras para mojado/seco.

No. de clave	No. de pieza	Descripción
1	831575	Adaptador (pequeño)
2	831576	Adaptador (grande)
3	830949	Cesta de aspiración
4	826814	Válvula de cierre
5	73185	Tapa de drenaje
6	SP6711	Manual del usuario







## Número de modelo: MP20000

### Garantía limitada MULTI-FIT

- **Qué está cubierto**

Se garantiza que los accesorios eléctricos Multi-Fit están libres de defectos de fabricación y de material.

- **Cuánto tiempo dura la cobertura**

Esta garantía dura un año a partir de la fecha de compra.

- **Cómo obtener servicio**

Para obtener el beneficio de esta garantía, sírvase llamar a Servicio al Cliente al 1-888-240-0148. Le daremos detalles específicos sobre nuestra política de devolución. Si el plazo de devolución ha vencido bajo la política de devolución normal del vendedor minorista, el producto se debe enviar de vuelta a Emerson Tool Company por medio de transporte prepagado para que lo inspeccionemos, con el fin de determinar si está cubierto por la garantía.

- **Qué haremos para corregir los problemas**

Si el producto está cubierto por nuestra garantía, repararemos la unidad o proporcionaremos una unidad nueva sin cargo alguno. Si después de tres intentos de reparar o reemplazar el producto durante el período de garantía éste aún está defectuoso, usted puede elegir recibir un reembolso completo correspondiente a su precio de compra. Si determinamos por medio de nuestra inspección que el producto no está cubierto por esta garantía, usted podrá elegir que se le envíe de vuelta el producto con todos los gastos a costa de usted.

- **Qué no está cubierto**

Las fallas debidas a uso incorrecto, abuso o desgaste por el uso normal no están cubiertas por esta garantía. **EMERSON TOOL COMPANY NO SERÁ RESPONSABLE POR NINGÚN DAÑO FORTUITO NI EMERGENTE.**

- **Cómo se relacionan las leyes locales con la garantía**

Algunos estados no permiten la exclusión o limitación de los daños fortuitos ni emergentes, por lo que es posible que la limitación o exclusión que antecede no tenga aplicación en el caso de usted. Esta garantía le confiere a usted derechos específicos y es posible que usted tenga también otros derechos que varían de un estado a otro, una provincia a otra o un país a otro.

- **No se aplica ninguna otra garantía expresa**

Esta garantía limitada es la garantía única y exclusiva para los productos Multi-Fit. Ningún empleado, agente, distribuidor u otra persona está autorizado a alterar esta garantía o dar cualquier otra garantía en nombre de Emerson Tool Company.

Los números de modelo y de serie se encontrarán en la parte trasera del producto.

Cuando solicite servicio de revisión o piezas de repuesto dé siempre la información siguiente:

- Tipo de producto • Número de modelo • Número de serie • Número de pieza

## ¿PREGUNTAS O COMENTARIOS?

**LLAME AL 1-888-240-0148**



© 2009 Multi-Fit

St. Louis, MO

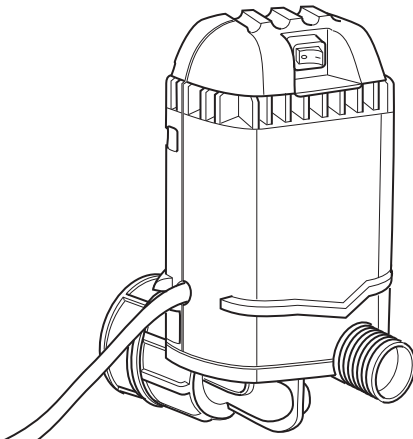


# **MULTIFIT™**

## **ACCESSORIES**

### MODÈLE N°

# **MP20000**



- **Sécurité**
- **Fonctionnement**
- **Montage**
- **Pièces de rechange**

QUESTIONS OU COMMENTAIRES ?  
**TÉLÉPHONER AU 1-888-240-0148**

• Español - página 13

Le numéro de modèle et le numéro de série figurent au dos du produit. Il est recommandé d'inscrire ces deux numéros en lieu sûr pour référence future

**▲ AVERTISSEMENT : Lisez attentivement ce mode d'emploi pour votre propre sécurité.**

**CONSERVER CE MANUEL POUR RÉFÉRENCE FUTURE**

## Table des matières

Sujet	Page	Sujet	Page
Instructions importantes relatives à la sécurité . . . . .	26	Assemblage de votre pompe Multi-Fit . . . . .	30
Mots de signalisation pour la sécurité . . . . .	26	Fonctionnement . . . . .	31
Instructions relatives à la mise à la terre . . . . .	28	Utilisation de votre pompe Multi-Fit . . . . .	32
Introduction . . . . .	29	Entretien . . . . .	33
Déballage et vérification du contenu		Localisation de la cause des problèmes. . . . .	33
du carton . . . . .	29	Pièces de rechange . . . . .	34
Présentation générale de votre pompe . . . . .	29	Garantie . . . . .	36

## INSTRUCTIONS IMPORTANTES RELATIVES À LA SÉCURITÉ

La sécurité nécessite la combinaison de plusieurs choses : faire preuve de bon sens, rester vigilant et savoir comment votre pompe Multi-Fit fonctionne.

### Termes de signalisation de questions de sécurité

**▲ DANGER** : indique une situation dangereuse imminente qui, si elle n'est pas évitée, causera la mort ou une blessure grave.

**▲ AVERTISSEMENT** : indique une situation pouvant être dangereuse qui, si elle n'est pas évitée, risque de causer la mort ou une blessure grave.

**▲ MISE EN GARDE** : indique une situation pouvant être dangereuse qui, si elle n'est pas évitée, pourrait causer une blessure légère ou modérée.

Lorsque vous utilisez votre pompe, suivez toujours les précautions de sécurité élémentaires, notamment celles-ci :

### **▲ AVERTISSEMENT** – Pour réduire le risque d'incendie, de choc électrique ou de blessure :

Lisez ce mode d'emploi et toutes les étiquettes figurant sur la pompe Multi-Fit, et assurez-vous que vous comprenez tout avant de commencer à utiliser la pompe.

- N'utilisez pas cette pompe Multi-Fit sans qu'elle ne soit installée sur un aspirateur de liquides et de poussières ou sans que le filtre ne soit installé.
- N'installez pas la pompe, le moteur ou de quelconques composants électriques au-dessous du niveau de l'eau. Cette pompe n'est pas submersible.
- Ne laissez pas la pompe ou l'aspirateur en marche sans surveillance – vous risqueriez de ne pas remarquer des signes importants indiquant un fonctionnement anormal, comme l'absence d'aspiration ou de circulation, ou des bruits anormaux du moteur. Cessez immédiatement

d'utiliser la pompe et l'aspirateur si vous observez de tels signes.

- N'utilisez pas cette pompe Multi-Fit à proximité de liquides ou de gaz inflammables ou combustibles, ou de poussières explosives, comme de l'essence ordinaire ou d'autres carburants, de l'essence à briquet, des produits de nettoyage, des peintures à base d'huile, du gaz naturel, de l'hydrogène, de la poussière de charbon, de la poussière de magnésium, de la poussière de semences ou de la poudre à canon, et ne pompez pas de tels produits.
- Maintenez le cordon à distance des surfaces chauffées.
- N'exposez pas à la pluie. Pour emploi à l'intérieur seulement.
- Pour débrancher, saisissez la fiche GFCI (Ground Fault Circuit Interrupt – disjoncteur de fuite à la terre) et non le cordon.
- N'utilisez pas l'aspirateur avec une fiche, un cordon ou un autre composant endommagé.
- **AVERTISSEMENT** : le cordon de ce produit contient du plomb, un agent chimique qui, selon les informations à la disposition de l'État de Californie, cause des malformations congénitales ou a d'autres effets nuisibles sur la reproduction.  
**Lavez-vous les mains après l'emploi.**
- N'utilisez la pompe Multi-Fit pour vaporiser.
- Si votre pompe Multi-Fit ne fonctionne pas comme elle devrait, s'il manque des composants, si elle est tombée, a été endommagée ou laissée à l'extérieur, ou si elle est tombée dans de l'eau, rapportez-la à un centre de service et de réparation indépendant.
- Ne laissez pas la pompe fonctionner à sec. Cela risquerait d'endommager la pompe.
- Ne tirez pas la pompe et ne la portez pas par son cordon, n'utilisez pas le cordon pour servir de poignée, ne fermez pas une porte sur le cordon et ne laissez pas le cordon tendu passer sur des bords ou des coins tranchants.

- Ne traînez pas l'aspirateur sur son cordon.
- Ne touchez pas la fiche, l'aspirateur de liquides et de poussières ou la pompe Multi-Fit avec les mains mouillées.
- Pour réduire le risque de dangers pour la santé résultant de l'exposition à des vapeurs ou des poussières, n'aspirez pas ou ne pompez pas de matériaux toxiques.
- N'utilisez pas et ne rangez pas l'aspirateur à proximité de matières dangereuses.
- Ne branchez pas la pompe Multi-Fit sur le même circuit électrique que celui qui est utilisé par l'aspirateur de liquides et de poussières.
- Pour les applications humides seulement. Ne tentez pas de pomper des débris secs ou des débris de quelque type que ce soit.
- Cette pompe est fournie avec un conducteur de mise à la terre et une fiche de raccordement de type mise à la terre. Pour réduire le risque de choc électrique, assurez-vous qu'elle est connectée seulement à une prise de courant de type mise à la terre qui est mise à la terre de façon correcte.
- Testez le disjoncteur de fuite à la terre (GFCI) avant chaque emploi.
- Ne laissez personne se servir de la pompe Multi-Fit comme d'un jouet. Il faut surveiller de très près quand il est utilisé par des enfants ou à proximité d'enfants.
- Ne laissez pas la pompe Multi-Fit sans surveillance pendant qu'elle est branchée. Débranchez-la de la prise de courant quand elle n'est pas utilisée et avant de réaliser une quelconque opération de maintenance. Mettez la pompe Multi-Fit hors tension avant de la débrancher.
- Pour réduire le risque de blessure pouvant résulter d'une mise en marche accidentelle, débranchez le cordon d'alimentation avant de changer ou de nettoyer le filtre.
- Ne mettez aucun objet dans les orifices de ventilation. Ne vous servez pas de la pompe si de quelconques événements de ventilation sont obstrués ; assurez-vous que ces orifices ne sont pas bloqués par de la poussière, de la peluche, des cheveux ou de quelconques objets pouvant réduire la circulation de l'air.
- Gardez les cheveux, les vêtements flottants, les doigts et toutes les parties du corps à distance des orifices et des pièces mobiles.

N'utilisez cette pompe Multi-Fit que conformément aux instructions de ce mode d'emploi.

Observez les avertissements suivants qui figurent sur le carter du moteur de votre pompe Multi-Fit et sur le logement du disjoncteur de fuite à la terre.

#### **⚠ AVERTISSEMENT**

**Pour votre propre sécurité, lisez et comprenez le manuel de l'opérateur. Ne laissez jamais en marche sans surveillance. Ne pompez pas de matériaux toxiques ou inflammables, ou d'autres matériaux dangereux. N'utilisez pas à proximité de vapeurs ou de liquides explosifs.**

#### **⚠ AVERTISSEMENT**

**Pour réduire le risque d'électrocution, suivez la procédure ci-dessous :**

- 1) Branchez dans une prise de courant.**
- 2) Appuyez sur le bouton de réinitialisation (reset). L'indicateur doit être en position de fonctionnement (« ON »).**
- 3) Appuyez sur le bouton de test. L'indicateur doit être en position d'arrêt (« OFF »).**
- 4) Appuyez sur le bouton de réinitialisation (reset) pour utiliser la pompe. Ne l'utilisez pas en cas d'échec du test.**

#### **⚠ AVERTISSEMENT**

**Pour réduire le risque d'électrocution, n'utilisez pas de fil de rallonge pour connecter le disjoncteur de fuite à la terre à une prise de courant.**

#### **⚠ AVERTISSEMENT**

**Pour réduire le risque de choc électrique, connectez seulement à une prise de courant de type mise à la terre qui est mise à la terre de façon correcte. Cette pompe n'a pas été testée pour emploi dans des piscines ou dans des zones aquatiques.**

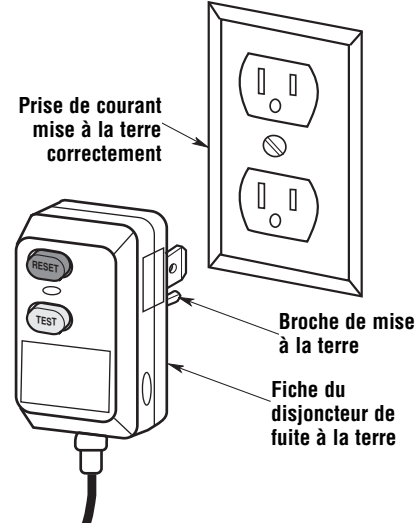
## CONSERVER CE MANUEL

## Instructions relatives à la mise à la terre

Cet appareil doit être mis à la terre. En cas de problème électrique, la mise à la terre fournit un chemin de moindre résistance pour le courant électrique afin de réduire le risque de choc électrique. Cet appareil est muni d'un cordon ayant un conducteur de mise à la terre de l'équipement et d'une fiche de mise à la terre. La fiche doit être insérée dans une prise appropriée qui est installée correctement et mise à la terre conformément à tous les codes et règlements municipaux.

**⚠ AVERTISSEMENT : risque de choc électrique – Cette pompe est fournie avec un conducteur à masse connectée et une fiche de branchement de type mise à la terre. Pour réduire le risque de choc électrique, assurez-vous que la pompe est connecté seulement à une prise de courant de type mise à la terre qui est mise à la terre de façon correcte.**

**⚠ AVERTISSEMENT : consultez un électricien professionnel ou un réparateur compétent en la matière si vous avez le moindre doute quant à la mise à la terre de la prise de courant. Ne modifiez pas la fiche fournie avec cet appareil – si elle ne tient pas dans la prise de courant, demandez à un électricien professionnel d'installer une prise de courant avec mise à la terre conforme aux stipulations du code.**



## Introduction

Cette pompe Multi-Fit est conçue pour un emploi à l'intérieur, dans un environnement résidentiel, exclusivement. Quand elle est connectée à un aspirateur de liquides et de poussières compatible, elle peut être utilisée pour un pompage léger de matières humides.

Familiarisez-vous avec le produit et ses fonctions, et lisez tout le mode d'emploi afin de connaître les applications spécifiques de votre nouvelle pompe Multi-Fit.

### REMARQUE IMPORTANTE

**Veillez lire ce manuel attentivement**

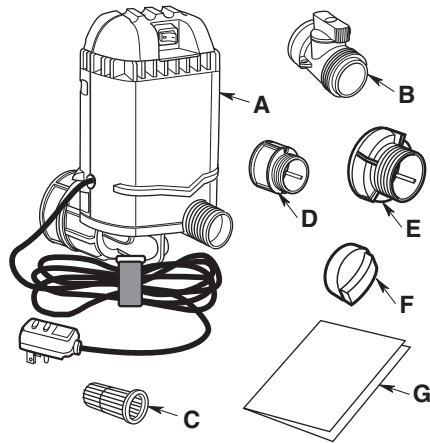
## Déballage et vérification du contenu du carton

Retirez tous les éléments se trouvant dans la boîte en carton. Inspectez chaque élément en le comparant à la liste incluse dans la boîte en carton.

Téléphonez au 1-888-240-0148 si de quelconques éléments sont absents ou endommagés.

### Liste du contenu de la boîte en carton

Légende	Description	Qté
A	Pompe accessoire.....	1
B	Robinet de sectionnement.....	1
C	Filtre.....	1
D	Petit adaptateur.....	1
E	Grand adaptateur.....	1
F	Capuchon de l'orifice de drainage... 1	
G	Manuel de l'operateur.....	1

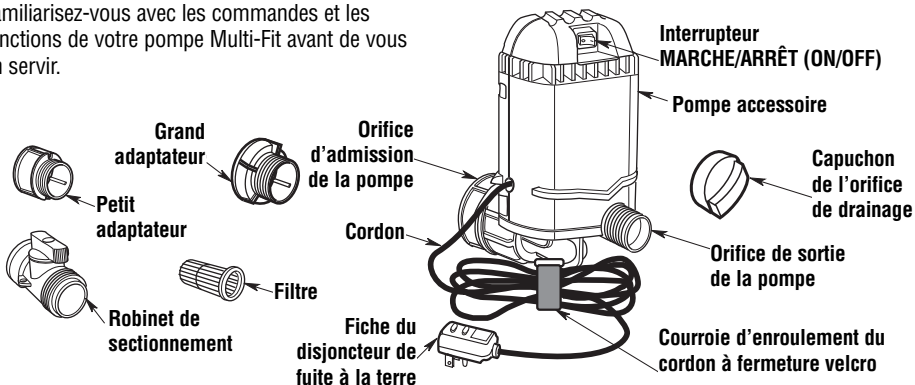


### Outils nécessaires

- Tournevis

## Présentation générale de votre pompe

Familiarisez-vous avec les commandes et les fonctions de votre pompe Multi-Fit avant de vous en servir.



## Assemblage de la pompe Multi-Fit

Votre pompe Multi-Fit est compatible avec la plupart des aspirateurs de liquides et de poussières qui ont un orifice de drainage fileté au fond du tambour. Lorsque vous attacherez la pompe à l'orifice de drainage de votre aspirateur, vous utiliserez tous les composants inclus dans cet ensemble, SAUF l'un des adaptateurs. Pour déterminer lequel des adaptateurs est nécessaire, suivez les instructions de montage ci-dessous.

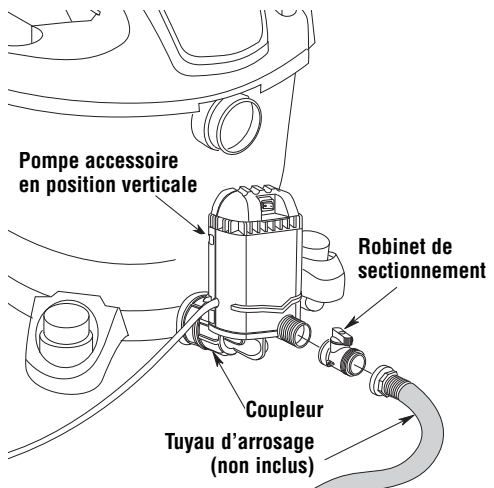
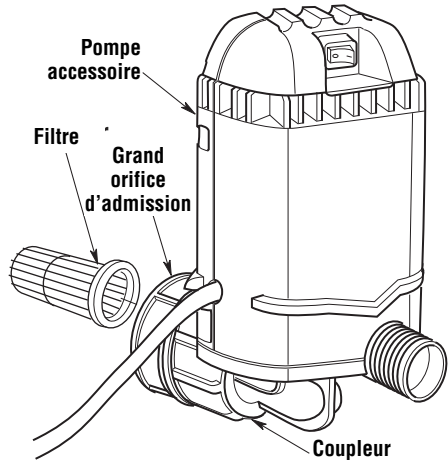
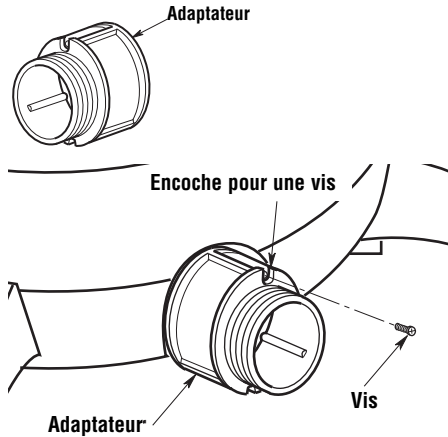
1. Mesurez le diamètre intérieur de l'orifice de drainage de votre aspirateur. Si le diamètre est de deux pouces, vous devrez utiliser le plus grand des deux adaptateurs. Si le diamètre est d'un pouce et demi, vous devrez utiliser le plus petit des deux adaptateurs. Si le diamètre de l'orifice de drainage de votre aspirateur est différent de ces deux chiffres, cela signifie que ce produit n'est pas compatible avec votre aspirateur.
2. Enfilez l'adaptateur approprié sur le drain de votre aspirateur de liquides et de poussières, et serrez fermement à la main. Localisez l'encoche pour la vis, et installez la vis fournie (vis N° 6 x 5/8 po de long).

**REMARQUE :** l'adaptateur du drain est maintenant un composant à demeure de votre aspirateur. Utilisez le capuchon de l'orifice de drainage de l'aspirateur de liquides et de poussières fourni pour fermer cet orifice lorsque vous ne vous servez pas de la pompe.

3. Poussez le filtre à l'intérieur du grand orifice d'admission de l'ensemble de pompe. Une fois le filtre installé, faites glisser la pompe Multi-Fit dans l'adaptateur installé précédemment sur l'aspirateur en positionnant la pompe dans le sens vertical. Serrez le coupleur à la main jusqu'à ce qu'il soit solidement assujéti.

**REMARQUE :** la connexion est conçue de façon à empêcher la rotation de la pompe après l'installation ; par conséquent, l'alignement doit être réalisé avant que le coupleur ne soit serré.

4. Après que l'ensemble de pompe aura été solidement attaché au drain, il faut installer le robinet de sectionnement sur l'orifice de sortie de la pompe et le tourner dans la position fermée. Si ce robinet de sectionnement n'est pas installé, il y aura des fuites de la pompe à travers l'orifice de sortie. Raccordez un tuyau d'arrosage de taille standard (non inclus) d'une longueur maximum de 50 pieds à l'extrémité de sortie du robinet de sectionnement. Des tuyaux plus longs ne permettront pas à la pompe de fonctionner à plein rendement.



## Fonctionnement

**⚠ AVERTISSEMENT :** pour réduire le risque d'incendie, d'explosion ou d'endommagement de la pompe ou de l'aspirateur :

- Ne laissez pas la pompe ou l'aspirateur en marche sans surveillance – vous risqueriez de ne pas remarquer des signes importants indiquant un fonctionnement anormal, comme l'absence d'aspiration, la sortie de débris ou de liquides par l'orifice d'échappement, ou des bruits anormaux du moteur. Cessez immédiatement d'utiliser la pompe et l'aspirateur si vous observez de tels signes.
- Ne laissez pas la pompe ou l'aspirateur branchés quand vous ne les utilisez pas.
- Ne vous servez pas de la pompe ou de l'aspirateur dans des endroits où il y a des gaz ou des vapeurs inflammables, ou de la poussière explosive, dans l'air. Les étincelles à l'intérieur du moteur risqueraient de mettre feu à des matières inflammables en suspension dans l'air. Les gaz et vapeurs inflammables comprennent : essence à briquet, produits de nettoyage du type solvant, peinture à base d'huile, essence, alcool ou aérosols. Les poussières inflammables comprennent : charbon, magnésium, aluminium, grains ou poudre à canon.
- Ne pompez pas ou n'aspirez pas de poussières explosives, de liquides inflammables ou de cendres très chaudes.
- N'utilisez pas la pompe ou l'aspirateur pour vaporiser.

**⚠ AVERTISSEMENT :** pour réduire le risque de choc électrique ou de blessure :

- N'exposez pas à la pluie, et ne laissez pas de liquides pénétrer dans le compartiment du moteur. Rangez à l'intérieur.
- Ne touchez pas la fiche de branchement, l'interrupteur ou l'appareil si vous avez les mains mouillées.
- N'effectuez pas d'opérations de maintenance pendant que la pompe ou l'aspirateur est branché. Si votre pompe ou votre aspirateur ne fonctionne pas comme il le devrait, s'il manque des composants, s'il est tombé, s'il a été endommagé ou laissé à l'extérieur, ou s'il est tombé dans de l'eau, rappez-le à un centre de service et de réparation indépendant ou téléphonez au centre de service à la clientèle.
- N'utilisez pas de fil de rallonge avec votre pompe.
- Pour réduire le risque d'inhalation de vapeurs, ne pompez pas ou n'aspirez pas de liquides toxiques.

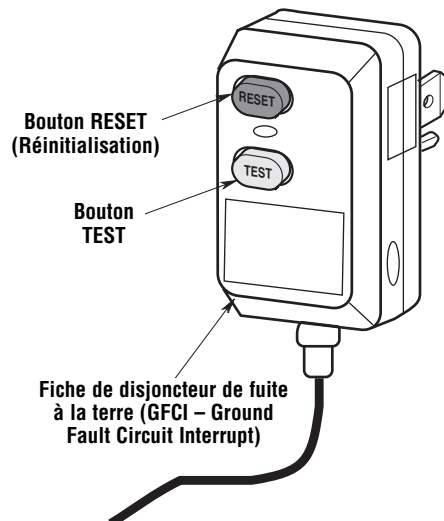
Pour réduire le risque de choc électrique, cette pompe Multi-Fit est munie d'une fiche de disjoncteur de fuite à la terre (GFCI) incorporée avec une connexion à la masse. La fiche doit être placée dans une prise de courant mise à la terre de façon correcte.

Si la fiche ne tient pas dans la prise de courant, contactez un électricien professionnel pour installer la prise de courant appropriée. Ne modifiez la fiche en aucune façon.

Après avoir branché le cordon d'alimentation dans la prise de courant, il faut toujours tester le disjoncteur de fuite à la terre. Appuyez sur le bouton rouge « RESET » pour réinitialiser votre pompe Multi-Fit. Ceci doit être fait chaque fois que la pompe Multi-Fit est branchée dans une prise de courant. Si l'indicateur rouge « RESET » ne saute PAS, cela veut dire que votre appareil ne fonctionne pas correctement. Vous devriez alors contacter un centre de service et de réparation indépendant pour faire réparer votre pompe Multi-Fit.

Après que vous aurez branché le cordon d'alimentation dans la prise de courant et dans le disjoncteur de fuite à la terre testé, vous serez prêt à utiliser votre pompe.

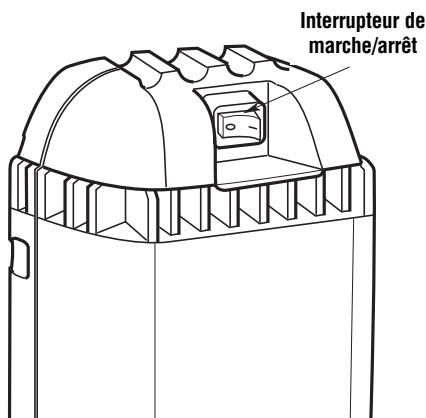
**REMARQUE :** la pompe Multi-Fit ne doit pas être utilisée en même temps que l'aspirateur de liquides et de poussières.



## Utilisation de votre pompe Multi-Fit

Mettez l'appareil sous tension en appuyant sur l'interrupteur pour le faire passer de la position « 0 » à la position « I ». Les deux symboles internationaux qui figurent sur l'interrupteur indiquent, respectivement, la position de marche et la position d'arrêt de votre aspirateur.

○ = ARRÊT | = MARCHÉ



Votre pompe Multi-Fit a un rendement optimal quand elle est utilisée pour pomper de grands volumes de liquide. Si le liquide ne remplit pas le tambour de façon à recouvrir le drain à l'intérieur de votre aspirateur de liquides et de poussières, la pompe ne fonctionnera peut-être pas correctement.

En raison de la fonction d'aspiration de liquides et de poussières et de la fonction de la pompe Multi-Fit, la pompe ne fonctionnera pas correctement si votre aspirateur est en marche.

1. Assurez-vous que votre pompe est connectée au drain de votre aspirateur (voir Assemblage) et que le disjoncteur de fuite à la terre fonctionne correctement. Si vous avez besoin d'un tuyau, connectez-le à la sortie de la pompe.
2. Fermez le robinet de sectionnement et aspirez le liquide dont vous voulez vous débarrasser jusqu'à ce que votre aspirateur de liquides et de poussières cesse d'aspirer du liquide ou jusqu'à ce que tout le liquide ait été aspiré.

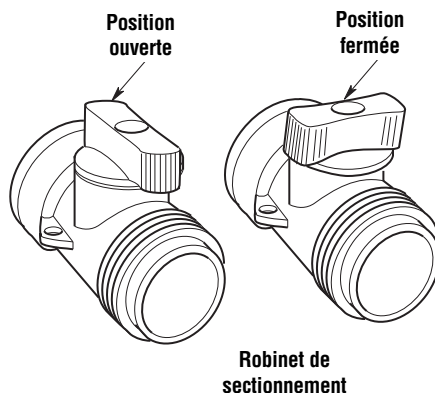
3. Éteignez votre aspirateur et laissez-le s'arrêter complètement. Positionnez le tuyau à l'endroit désiré pour vider le contenu du tambour. Ouvrez le robinet de sectionnement, qui est situé entre la sortie de la pompe Multi-Fit et le tuyau d'arrosage.
4. Mettez votre pompe en marche et laissez-la pomper autant de liquide que possible dans le tambour. Lorsque vous remarquerez que la pompe ne fait plus circuler d'eau dans le tuyau et que la vitesse du moteur augmente, éteignez la pompe.

**⚠ AVERTISSEMENT : ne pas laisser fonctionner sans surveillance pour réduire le risque d'incendie.**

5. Pour vous assurer que le tambour est presque vide, débranchez la pompe et l'aspirateur, retirez la tête de la pompe de l'aspirateur et inspectez le contenu du tambour. S'il reste toujours du liquide dans le tambour, consultez la section de dépannage à la page 33.

**REMARQUE :** ne faites pas fonctionner la pompe à sec, car cela risquerait d'endommager des composants internes de la pompe.

6. Débranchez la pompe, débranchez et retirez la tête de pompe de votre aspirateur de liquides et de poussières, et retirez tous les débris qui ont pu s'accumuler sur le filtre de la pompe ou à proximité de celui-ci. Réinstallez la tête de pompe et recommencez les étapes 2 à 5 suivant les besoins.





## Entretien

### Nettoyage du filtre

**AVERTISSEMENT : pour réduire le risque de blessure pouvant résulter d'une mise en marche accidentelle, débranchez le cordon d'alimentation avant de nettoyer le filtre.**

Votre pompe ne nécessite pas de lubrification ou de maintenance additionnelle, si ce n'est de la maintenir propre et d'en retirer les débris accumulés.

### Nettoyage

Avant de ranger la pompe, il faut la nettoyer.

Pour nettoyer la pompe Multi-Fit, rincez le tambour de l'aspirateur de façon qu'il ne contienne plus de débris. Remplissez le tambour avec de l'eau propre jusqu'aux trois-quarts de sa capacité, et laissez la pompe pomper l'eau pour retirer l'eau du tambour. Pour les aspirateurs de moins de 12 gallons de capacité, effectuez cette procédure à deux reprises. Retirez l'eau qui reste dans le tambour ; détachez la pompe Multi-Fit de l'orifice de drainage et installez le capuchon de l'orifice de drainage (fourni) sur l'adaptateur de l'orifice de drainage qui a été installé de façon permanente.

Pour préserver l'apparence physique de votre pompe, nettoyez-en l'extérieur en utilisant un chiffon humidifié avec de l'eau tiède et du savon doux. Retirez tous les résidus secs et humides avec un chiffon sec.

### Rangement du cordon d'alimentation

Enroulez le cordon et utilisez la courroie d'enroulement du cordon à fermeture velcro jointe pour ranger le cordon d'alimentation.

### Rangement de la pompe Multi-Fit

Quand vous ne vous en servez pas, rangez votre pompe Multi-Fit dans un endroit frais et sec, avec le cordon enroulé en utilisant la courroie d'enroulement du cordon à fermeture velcro jointe.

**⚠ AVERTISSEMENT : des températures extrêmes risquent de causer une défaillance du joint d'étanchéité du moteur, ce qui introduirait de l'eau dans le moteur.**

Le capuchon de l'orifice de drainage d'origine de l'aspirateur de liquides et de poussières doit alors être installé sur l'adaptateur du drain qui a été attaché de façon permanente à l'orifice de drainage de votre aspirateur de liquides et de poussières.

**⚠ AVERTISSEMENT : pour assurer la SÉCURITÉ et la FIABILITÉ du produit, les réparations et réglages doivent être effectués par des centres agréés de service après-vente en utilisant toujours des pièces de rechange.**

## Localisation de la cause des problèmes

Problème	Solution
<b>Pas de circulation d'eau/ Circulation d'eau réduite</b>	<ol style="list-style-type: none"> <li>1. Inspectez le filtre pour vous assurer qu'il n'est pas obstrué.</li> <li>2. Assurez-vous qu'il y a de l'eau dans le tambour de l'aspirateur.</li> <li>3. Inspectez le robinet de sectionnement.</li> <li>4. Assurez-vous qu'il n'y a pas de coude dans le tuyau.</li> <li>5. Vérifiez que la sortie du tuyau ne dépasse pas une hauteur de 50 pieds.</li> </ol>
<b>L'appareil ne se met pas en marche</b>	<ol style="list-style-type: none"> <li>1. Inspectez le disjoncteur de fuite à la terre – voir page 31.</li> <li>2. Assurez-vous que la pompe Multi-Fit est branchée.</li> <li>3. Assurez-vous que l'interrupteur est en position de marche.</li> <li>4. Inspectez le disjoncteur/fusible de la maison.</li> </ol>
<b>Fuite</b>	<ol style="list-style-type: none"> <li>1. Assurez-vous que l'adaptateur est étanche.</li> <li>2. Assurez-vous que le coupleur et le joint torique sont étanches.</li> <li>3. Assurez-vous que le robinet de sectionnement et le joint torique sont étanches.</li> <li>4. Assurez-vous que le tuyau d'arrosage est étanche et vérifiez que la rondelle du tuyau est en place.</li> </ol>
<b>Odeur (électrique)</b>	<ol style="list-style-type: none"> <li>1. Débranchez la pompe Multi-Fit.</li> <li>2. Assurez-vous qu'il n'y a pas de blocage.</li> <li>3. Si la pompe Multi-Fit continue à avoir une odeur électrique, rapportez-la à un centre de service et de réparation indépendant.</li> </ol>

# Pièces de rechange

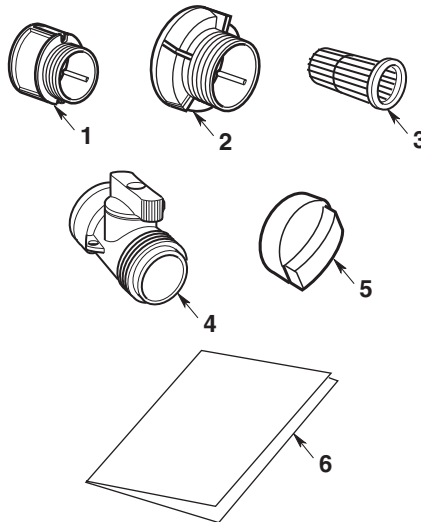
## Pompe Multi-Fit pour aspirateur de liquides et de poussières Modèle N° MP20000

Pour commander, utiliser toujours le numéro de pièce – pas le numéro de légende

### ▲ AVERTISSEMENT

Pour réduire le risque de blessure pouvant résulter d'un choc électrique, débranchez le cordon d'alimentation avant d'effectuer une quelconque opération de maintenance sur la pompe Multi-Fit pour aspirateur de liquides et de poussières.

Légende N°	Pièce N°	Description
1	831575	Adaptateur (petit)
2	831576	Adaptateur (grand)
3	830949	Filtre
4	826814	Robinet de sectionnement
5	73185	Capuchon de l'orifice de drainage
6	SP6711	Mode d'emploi







**Numéro de modèle : MP20000**  
**Garantie limitée MULTI-FIT**

• **Ce qui est couvert**

Les accessoires électriques Multi-Fit sont garantis ne pas comporter de défauts de matériau ou de fabrication.

• **Durée de la couverture**

Cette garantie dure un an à compter de la date de l'achat.

• **Comment obtenir un service après-vente dans le cadre de la garantie**

Pour obtenir le bénéfice de cette garantie, veuillez téléphoner à notre service clientèle au 1-888-240-0148. Nous vous communiquerons toutes les informations nécessaires sur notre politique de renvoi de produits. Si le délai normal de retour de produit du détaillant a expiré, le produit devra être renvoyé en port payé à Emerson Tool Company pour nous permettre de l'inspecter et de déterminer si le problème est couvert par la garantie.

• **Ce que nous ferons pour remédier au problème**

Si le produit est couvert par notre garantie, nous réparerons l'appareil ou nous nous enverrons un appareil neuf à nos frais. Si, après trois tentatives de réparations ou remplacements pendant la durée de cette garantie le produit est toujours défectueux, vous pourrez nous demander un remboursement intégral de votre prix d'achat. Si nous déterminons à la suite de notre inspection que le produit n'est pas couvert par cette garantie, vous pourrez nous demander de vous renvoyer l'appareil à vos frais.

• **Ce qui n'est pas couvert**

Les défaillances causées par un emploi non conforme aux spécifications, un emploi abusif et à l'usure normale ne sont pas couvertes par la présente garantie. **EMERSON TOOL COMPANY N'ASSUMERA AUCUNE RESPONSABILITÉ POUR LES DOMMAGES SECONDAIRES OU INDIRECTS.**

• **Comment la présente garantie est affectée par le droit local**

Comme certains États ou certaines Provinces ne permettent pas l'exclusion ou la limitation des responsabilités pour dommages secondaires ou indirects, la limitation ou l'exclusion qui précède ne s'applique peut-être pas à vous. La présente garantie vous confère des droits spécifiques, et vous bénéficiez peut-être aussi d'autres droits, qui varient d'un État à un autre, d'une Province à une autre, ou d'un pays à un autre.

• **Aucune autre garantie expresse ne s'applique**

La présente garantie limitée est la seule et exclusive garantie pour les produits Multi-Fit. Aucun employé, agent, distributeur ou autre personne n'est habilité à altérer cette garantie ou à offrir de quelconques autres garanties au nom de Emerson Tool Company.

**Le numéro de modèle et le numéro de série figurent au dos du produit.**

**Pour obtenir des services d'entretien, réparation ou commander des pièces de rechange, fournissez toujours l'information suivante :**

• Type de produit • Numéro de modèle • Numéro de série • Numéro de pièce

**QUESTIONS OU COMMENTAIRES ?**  
**TÉLÉPHONER AU 1-888-240-0148**



© 2009 Multi-Fit

St. Louis, MO