



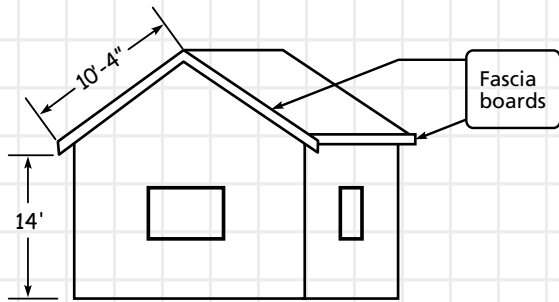
Gutter, Soffit & Fascia Layout Planner

AVAILABLE EXCLUSIVELY AT

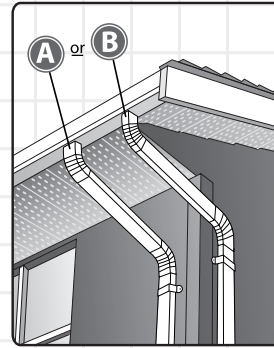


WHAT YOU WILL NEED	
GUTTERS AND FITTINGS	
Gutter - 10'	10
Gutter hanger	50
"A" elbow - 2" x 3"	6
"B" elbow - 2" x 3"	
Elbow - 2" round	
Inside box mitre	1
Outside box mitre	3
Left end cap	1
Right end cap	1
DOWNPIPES AND FITTINGS	
Downpipe - 10'	3
Strap	
Leaf Strainer with Outlet	3
or 2" x 3" Outlet	3
ACCESSORIES	
Trim nails - aluminum (1/4 lb box)	5
Self-piercing screws (12 per bag)	7
Caulking sealant	4
Wire leaf strainer	3
Gutter Capping - 4'	23
SOFFIT AND FASCIA	
Soffit - 10'	18
Fascia cover - 1" x 6" x 10'	
Fascia cover - 2" x 6" x 10'	12
Fascia cover - 2" x 8" x 10'	
J-trim - 10'	24
Sill trim - 10'	3

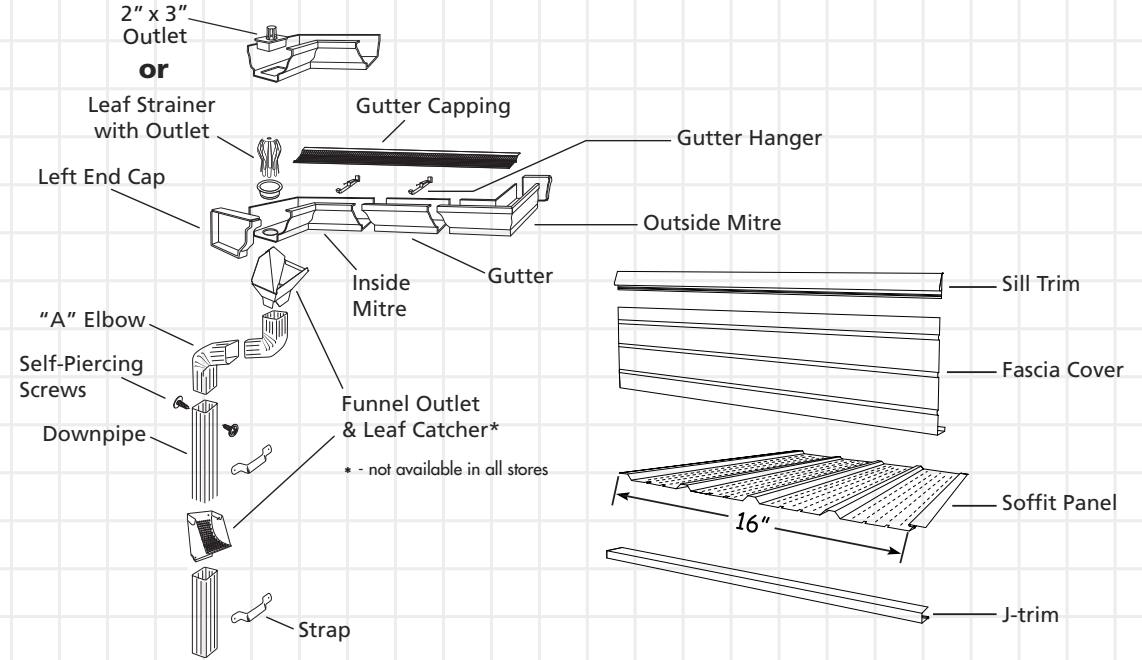
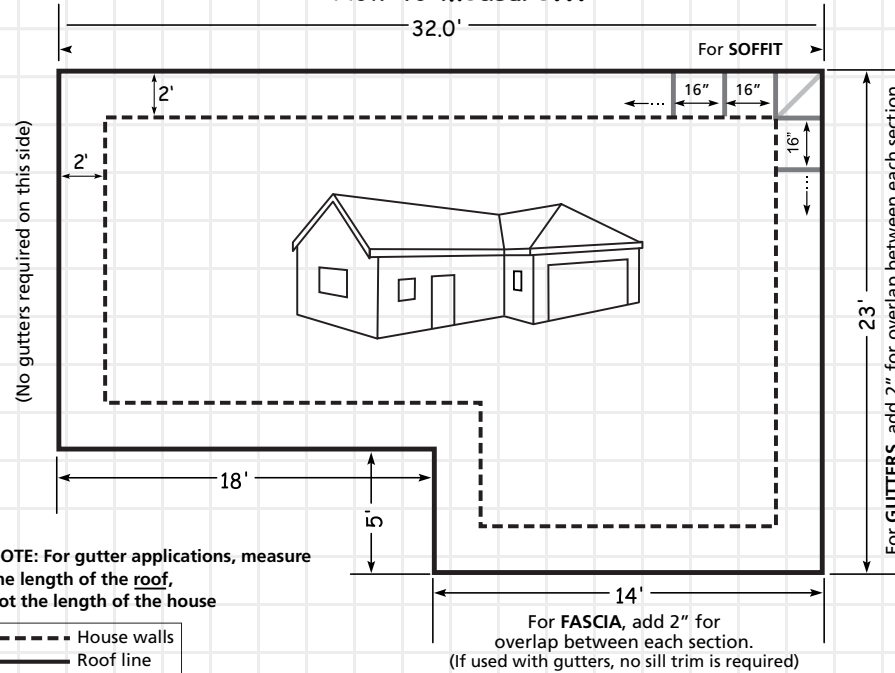
Sample Layout
(see reverse for working copy)



Use "A" or "B" ELBOWS depending on application



How to measure...



NOTES

- Sill trim is not required in areas of gutter applications.
- Apply fascia covers on all fascia boards around the perimeter of the house.
- Fascia covers should overlap by 2".
- Gutter and downpipe sections require overlap of at least 3" - plan purchases accordingly.
- Gutter hangers should be attached to gutter section every 2'.
- Use either Leaf Strainer with Outlet or Funnel Outlet & Leaf Catcher - not both
- Use at least two straps for every 10' of downpipe.
- Install downpipe for each 30' to 50' of gutter while considering such factors as the location of drain tiles, ground conditions and slope.
- Use gutter guard and leaf strainers to help prevent clogging and backup.

Refer to the installation guides for additional and detailed instructions.

* Based on example shown

⚠ WARNING Before beginning work, engage professionals: (i) to ensure that these products are appropriate for your intended application, that the structural components for which these products are to be used in connection with are sound and that the work areas are safe and free from all potential hazards including utilities and other services; (ii) to determine how to work safely above ground level and to identify the appropriate apparatus and security harness to be used; and (iii) to provide clarification if these warnings are unclear or you do not understand any of the information in the installation instructions for these products. Comply with all applicable building codes. Work in a safe manner. Building codes may vary. Either before, during or after cutting, metal components may have sharp edges which could fragment. When using tools always comply with the applicable user manuals and instructions. Everyone in the vicinity of any work area must wear appropriate protective gear including gloves, footwear, eyewear, hardhat and appropriate clothing. When working above ground level never use these products to support your weight and use appropriate safety apparatus including an appropriate security harness. Do not use these products in connection with wood that has been treated with Ammoniacal Copper Quaternary (ACQ) or with any other substance that is harmful to these products. Inspect and maintain these products and the structural components that they are used in connection with on a regular basis using professionals when appropriate. Inspection and maintenance includes, but is not limited to, checking for and removing leaves, debris, ice and snow buildup and identifying and repairing cracks, tears, leakage and other damage.

⚠ CAUTION SHARP EDGES

⚠ WARNING This product has sharp corners and edges that could easily cause injury. Always handle with extreme caution and use protective clothing / gloves. Always ask store personnel for assistance before handling this product.



Gutter, Soffit & Fascia

Layout Planner (working copy)

AVAILABLE EXCLUSIVELY AT



WHAT YOU WILL NEED	
GUTTERS AND FITTINGS	QTY.*
Gutter - 10'	
Gutter hanger	
"A" elbow - 2" x 3"	
"B" elbow - 2" x 3"	
Elbow - 2" round	
Inside box mitre	
Outside box mitre	
Left end cap	
Right end cap	
DOWNPIPES AND FITTINGS	
Downpipe - 10'	
Strap	
Leaf Strainer with Outlet	
or 2" x 3" Outlet	
ACCESSORIES	
Trim nails - aluminum (1/4 lb box)	
Self-piercing screws (12 per bag)	
Caulking sealant	
Wire leaf strainer	
Gutter Capping - 4'	
SOFFIT AND FASCIA	
Soffit - 10'	
Fascia cover - 1" x 6" x 10'	
Fascia cover - 2" x 6" x 10'	
Fascia cover - 2" x 8" x 10'	
J-trim - 10'	
Sill trim - 10'	

No member of the Peak Group of Companies (as defined at www.peakproducts.com) shall be liable for any loss or damage resulting from the improper installation or use of any of these products. In the unlikely event that any member of the Peak Group of Companies becomes liable for any loss or damage in respect of any or all of these products, the aggregate liability of the Peak Group of Companies shall be limited to the retail purchase price of that or those products.

PEAK® and certain products and the materials associated therewith are protected by patents, designs, copyrights and/or trademarks. All trademarks are used under licence from Peak Innovations Inc. The Home Depot trademark is owned by Homer TLC Inc. © 2012 T04 - V13

 **INSTALLATION SERVICES**
 We do it for you. Results Guaranteed.
 1-800-HOMEDEPOT (466-3337)

peakproducts.com