

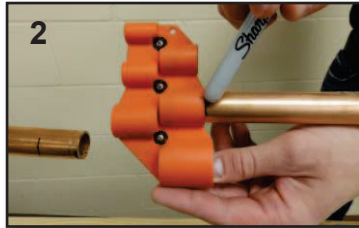


SharkBite® Slip Ball Valve

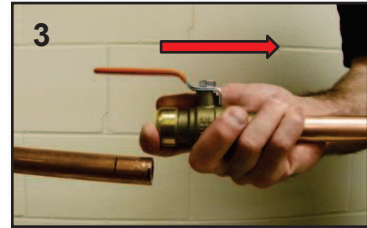
TYPICAL INSTALLATION



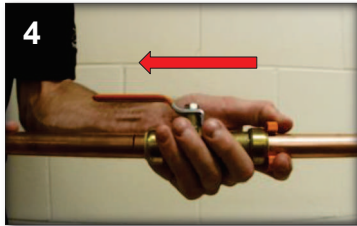
- Cut out the section of pipe
- For 1/2", remove 2.00"
 - For 3/4", remove 2.25"
 - For 1", remove 2.50"



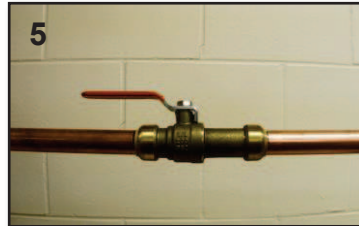
Using the SharkBite Deburring & Depth Gauge (U702), clean the edges of the copper pipe and mark the proper insertion depth on the pipe.



On the side of the valve marked "SLIP END", slide the copper pipe into the fitting until it bottoms out.



Place the SharkBite Disconnect Clip on the copper pipe, on the same side as the "SLIP END". Press the clip to release the fitting and slide the SharkBite fitting to meet the other pipe.



Continue to slide the fitting until the non-slip end reaches the tube stop. Ensure that the fitting lines up with the depth markings.



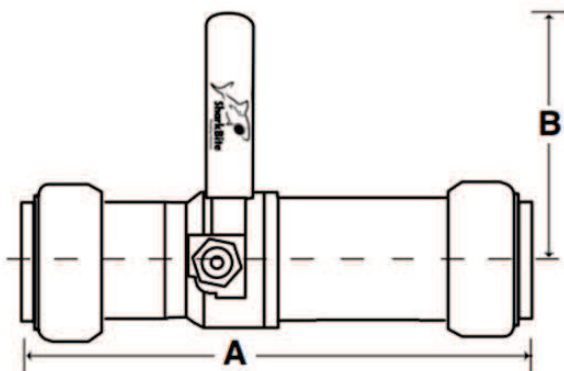
To disconnect a fitting, push the disconnect clip against the release collar. While pushing against the release collar, remove the pipe from the fitting.

CONNECTIONS

SharkBite..... 1/2" through 1"

CERTIFICATIONS

The SharkBite Slip Ball Valve 1/2", 3/4" and 1" are certified to IGC-157/NSF61 and NSF 372 and listed by IAPMO.



Dimensions	A	B
1/2" (24735LF)	3.88	3.80
3/4" (24736LF)	4.50	3.75
1" (24737LF)	5.50	4.75

