

SAFETY INFORMATION

Please read and understand this entire manual before attempting to assemble, operate or install the product.

WARNING

- TURN OFF ELECTRICITY at main fuse box (or circuit breaker box) before beginning installation by removing fuse (or switching off circuit breaker)
- MINIMUM 90°C SUPPLY CONDUCTORS.

CAUTION

- CONSULT A QUALIFIED ELECTRICIAN TO ENSURE CORRECT BRANCH CIRCUIT CONDUCTOR.
- If in doubt about electrical installation, consult a licensed electrician.

PREPARATION

Before beginning assembly of product, make sure all parts are present. Compare parts with package contents list and hardware contents list. If any part is missing or damaged, do not attempt to assemble the product.

Estimated Assembly Time: 25 minutes

Tools Required for Assembly (not included): Flathead screwdriver, Phillips screwdriver, pliers, Electrical tape, Wire cutters, Safety glasses.

Helpful Tools (not included): Wire strippers.

Crystal strings:

REMEMBER: Always wear either cotton or latex gloves when handling crystals. This helps protect the crystals from scratches and smudging.



REPLACEMENT PARTS LIST

| PART | DESCRIPTION | QUANTITY |
|------|----------------|----------|
| AA | Cap nut | 2pcs |
| BB | Wire nut | 3pcs |
| CC | Machine screw | 2pcs |
| DD | Mounting screw | 2pcs |
| EE | Butterfly | 1pcs |



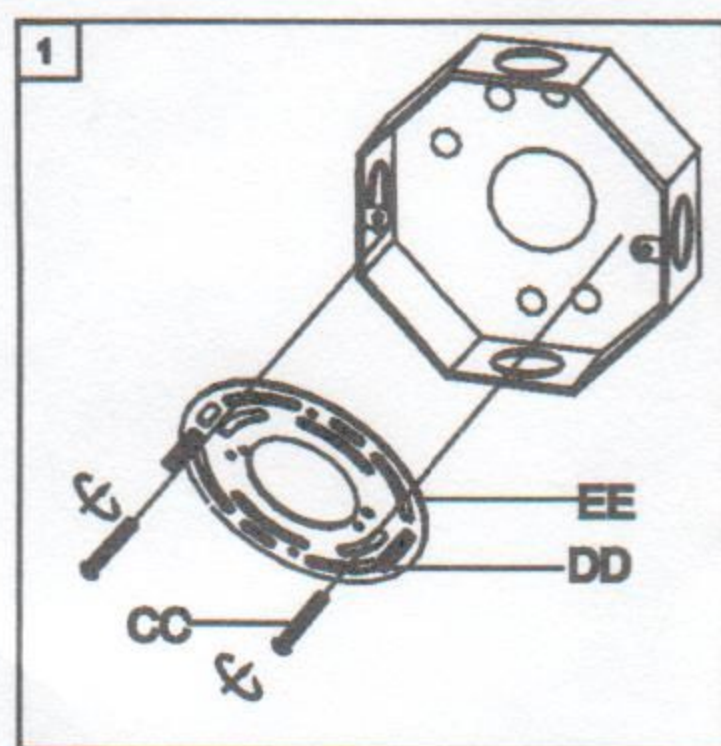
WALL LAMP ASSEMBLY INSTRUCTIONS

1. Remove Mounting screw (DD) from fixture (A). Preassembled to Butterfly (EE). Attach Butterfly (EE) to the outlet box (not included) with Machine screws (CC).

Note: The mounting screws (DD) should protrude away from the outlet box.

Hardware Used

| | | |
|-------------------|--|-----|
| CC Machine screw | | X 2 |
| DD Mounting screw | | X 2 |
| EE Butterfly | | X 1 |



2. Strip 3/4 in. of insulation from wire ends. Twist stripped ends together with pliers (not included), black to black (power) and white to white (neutral). Attach copper wire to ground wire. **Helpful hint:** If necessary, attach copper ground wire to grounded junction box.



3. Attach wire nuts (BB). Tape wire nuts (BB) and wires together.

Hardware Used

| | | |
|-------------|--|-----|
| BB Wire nut | | X 3 |
|-------------|--|-----|



CARE AND MAINTENANCE

Shut off main power supply before wiping product with damp cloth or window cleaner. Do not use abrasives.

TROUBLE SHOOTING

| PROBLEM | POSSIBLE CAUSE | CORRECTION ACTION |
|------------------|----------------------------|----------------------------------|
| Bulb won't light | 1. Bulb is burned out. | 1. Replace light bulb. |
| | 2. Power is off. | 2. Make sure power supply is on. |
| | 3. Faulty wire connection. | 3. Check wiring. |
| | 4. Faulty switch. | 4. Test or replace switch. |

MAINTENANCE

The manufacturer warrants all of its lighting fixtures against defects in materials and workmanship for one (1) year from the date of purchase. If within this period the product is found to be defective in material or workmanship, the product must be returned, with a copy of the original sales receipt as proof of purchase in the original carton, to the place of purchase. The manufacturer will, at its option, repair, replace or refund the original purchase price to the consumer. This warranty does not cover fixtures becoming defective due to misuse, accidental damage, improper handling and/or installation and specifically excludes liability for direct, incidental or consequential damages. As some states do not allow exclusions or limitations on an implied warranty, the above exclusions and limitations may not apply to you. This warranty gives you specific legal rights, and you may have other rights that vary from state to state.