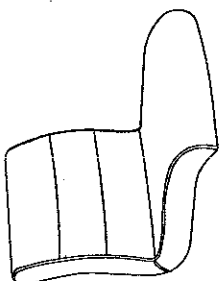

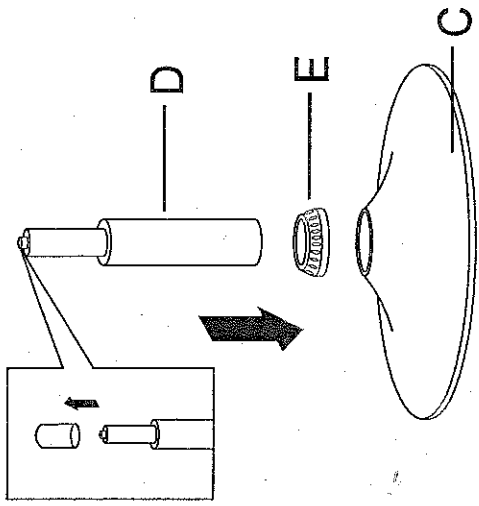
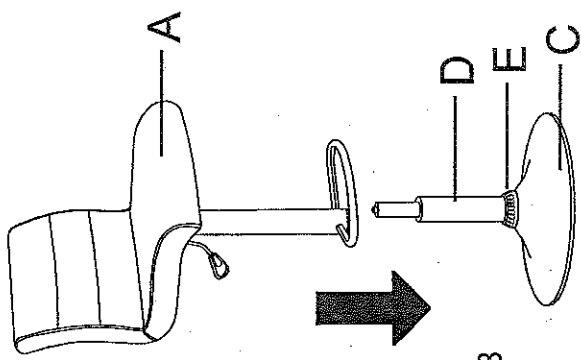
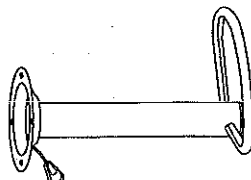

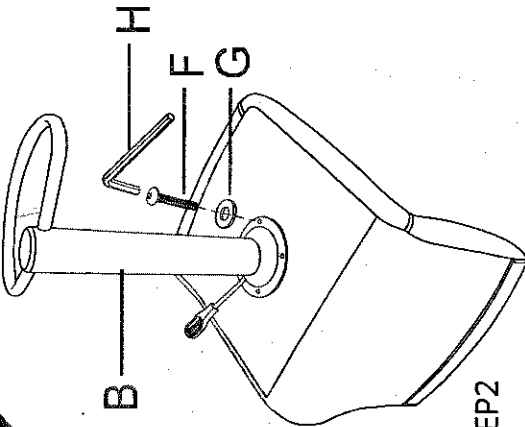
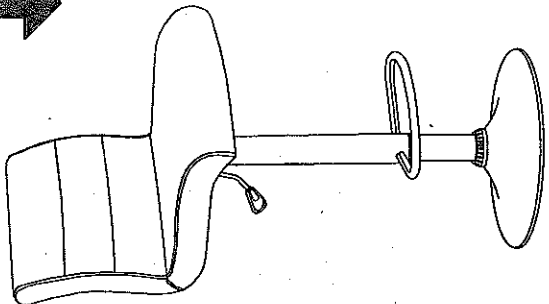



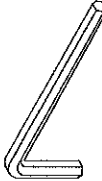


ASSEMBLY INSTRUCTION

| | | | |
|--|---|---|--|
| <p>Ax1</p>  | <p>Ex1</p>  | <p>STEP1</p>  | <p>STEP3</p>  |
| <p>Bx1</p>  | <p>Fx4</p>  | <p>STEP2</p>  | <p>STEP4</p>  |
| <p>Cx1</p>  | <p>Gx4</p>  | | |
| <p>Dx1</p>  <p>PLEASE REMOVE BLACK GAP FROM GAS LIFT</p> | <p>Hx1</p>  | | |