
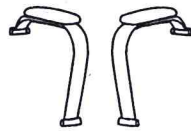




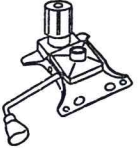
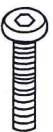


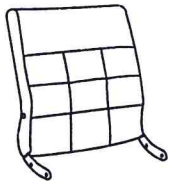

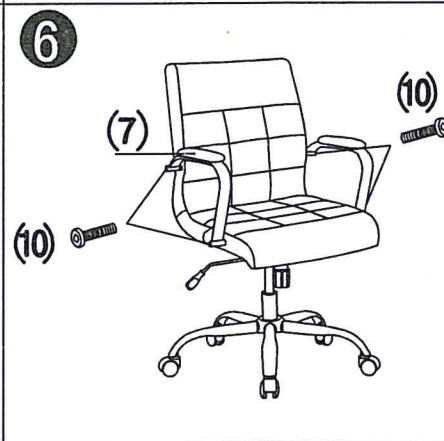
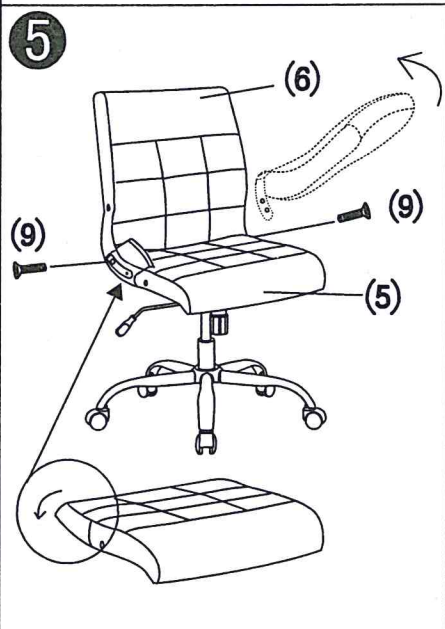
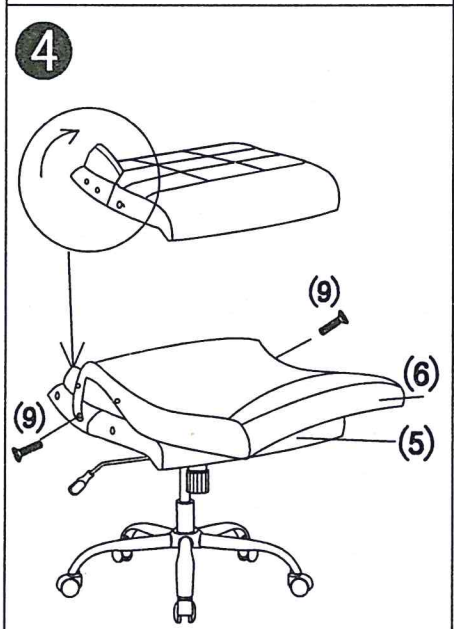
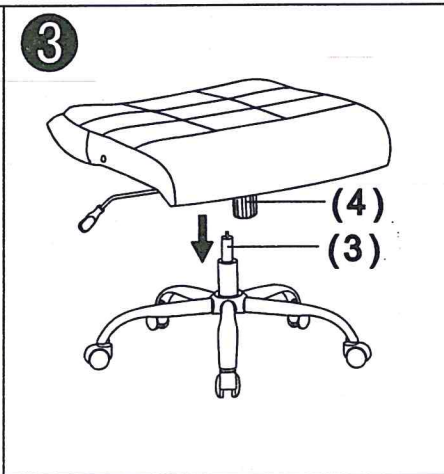
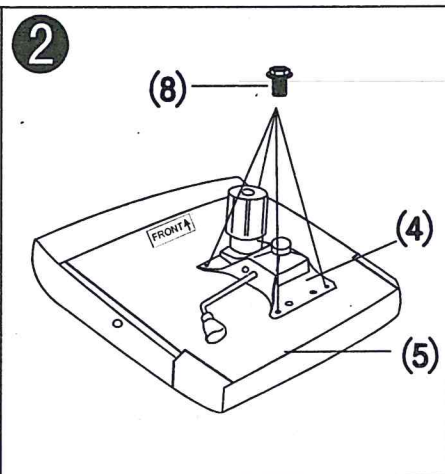
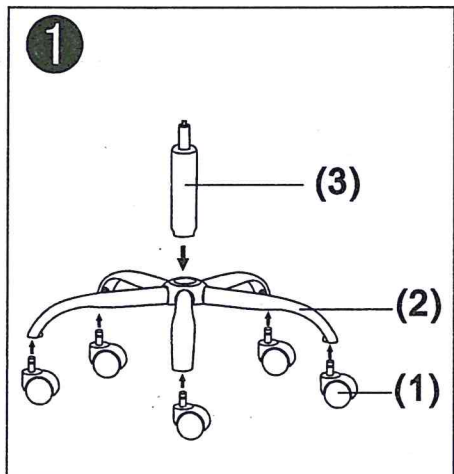


(1)x5 	(7)x1(L&R) 
(2)x1 	(8)x4 
(3)x1 	(9)x4 
(4)x1 	(10)x4 
(5)x1 	(11)x4 
(6)x1 	(12)x1 



Open the Velcro on both sides of seat first, then place the Back Cushion (6) on the Seat Cushion (5), and use 2 bolts(9) to attach to the lower screw holes on Seat Cushion (5) (see diagram).

*Note:DO NOT FULLY TIGHTEN BOLTS.

Push the Back Cushion (6) up to a vertical position and attached the Seat Cushion (5) to by using 2 bolts(9) , then to cover the Velcro back.

*Note: Tighten the bolts completely.