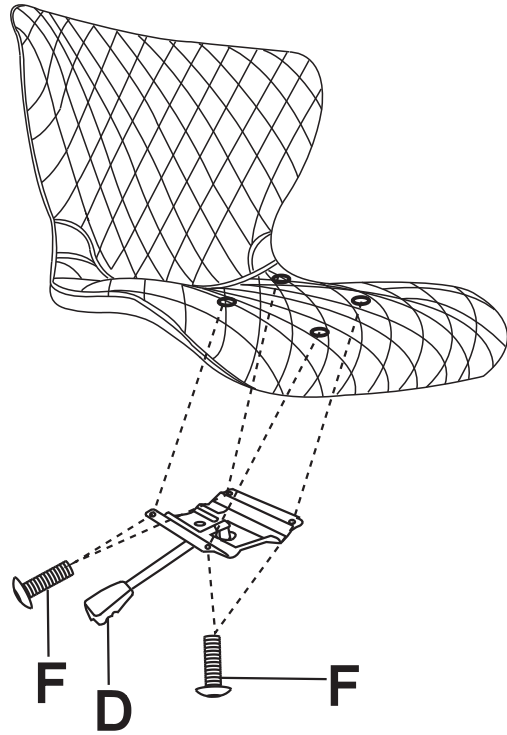
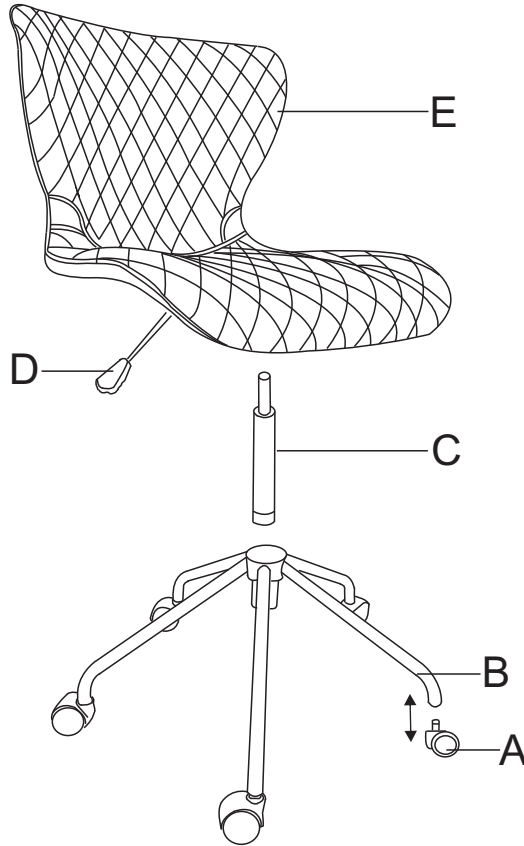


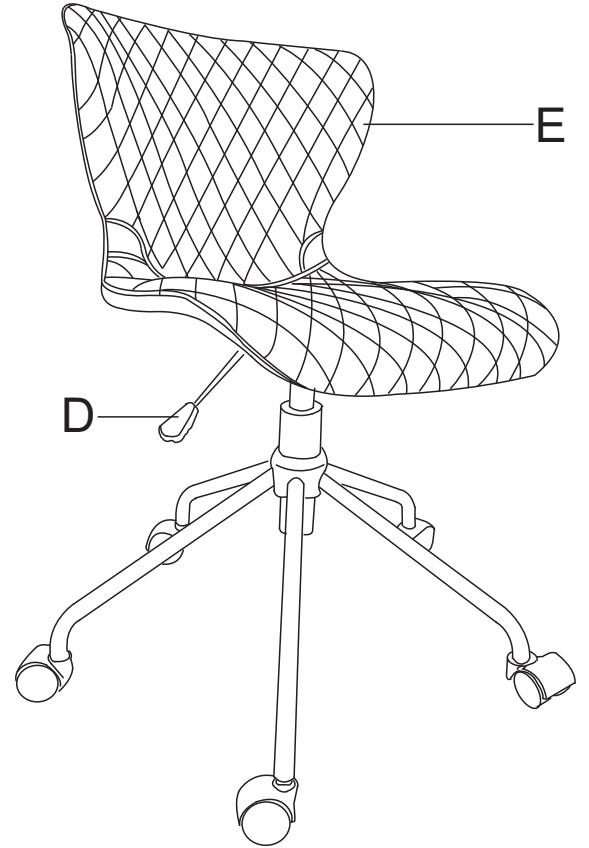
1



2



3



F



M6*14MM
/4PCS

G



M5/1PC