

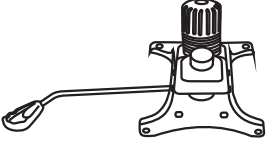

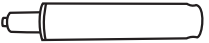

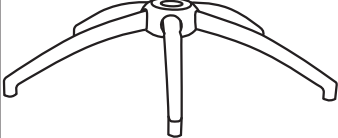



BT-90509H PARTS

ASSEMBLY INSTRUCTION

(1)X1 	(6)X2  M6*22mm
(2)X1 	(7)X2  M6*25mm
(3)X1 	(8)X4  6.5*18*1.5mm
(4)X1 	(9)X1 
(5)X5 