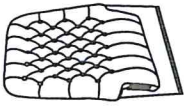

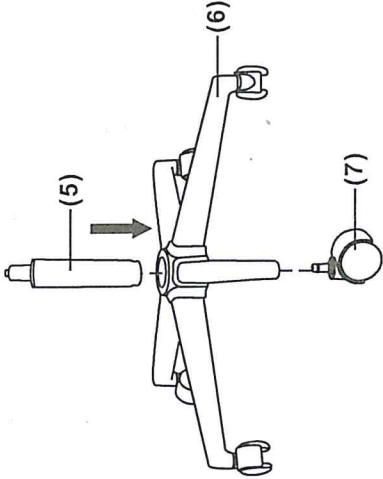
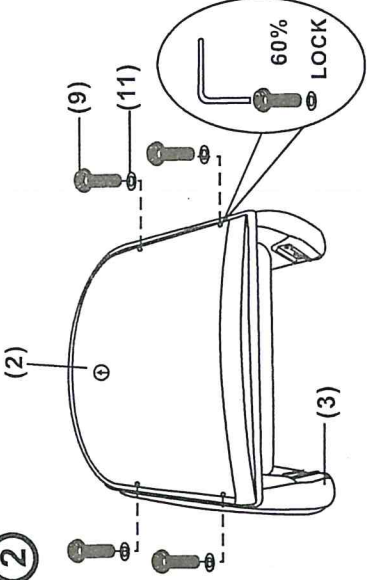
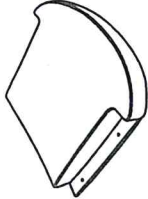

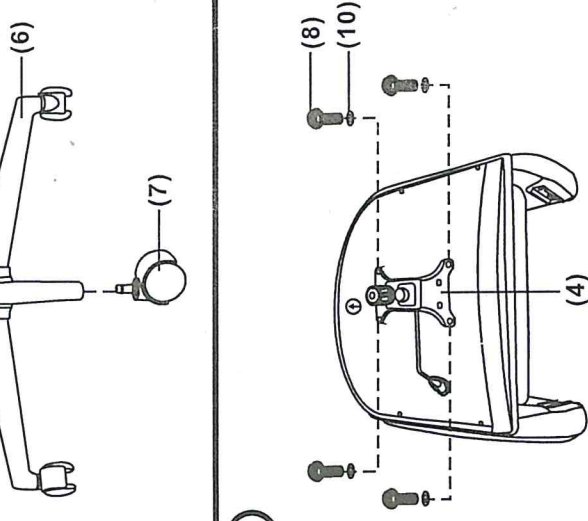
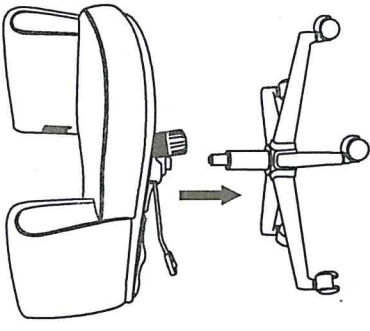


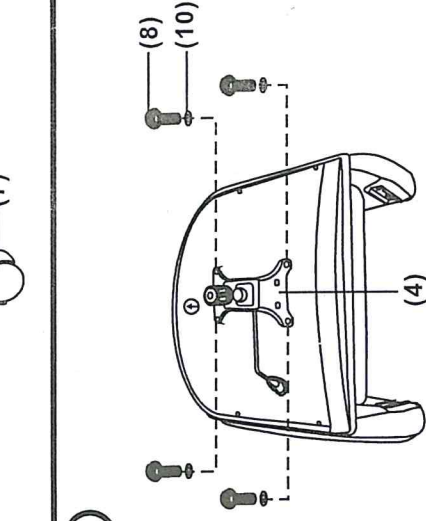
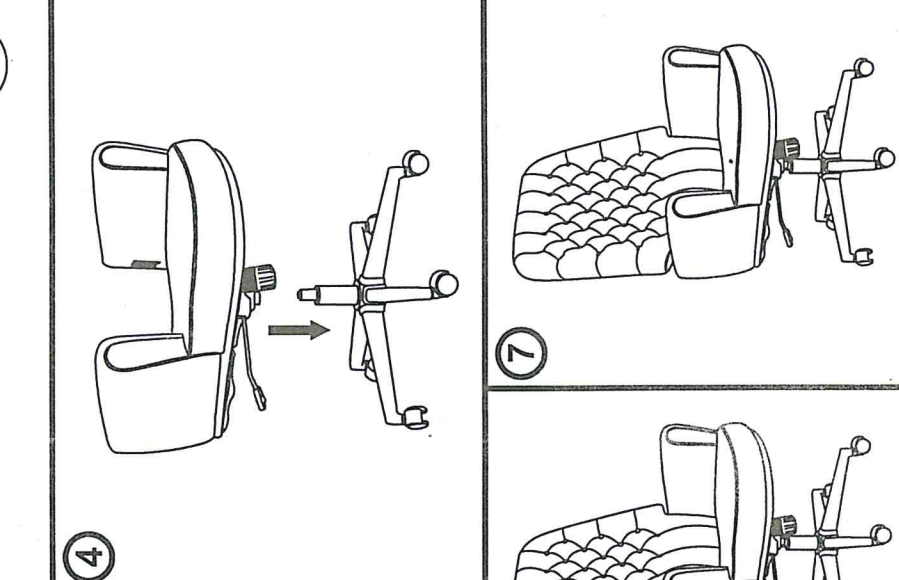
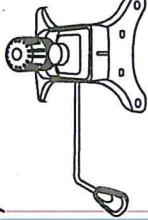

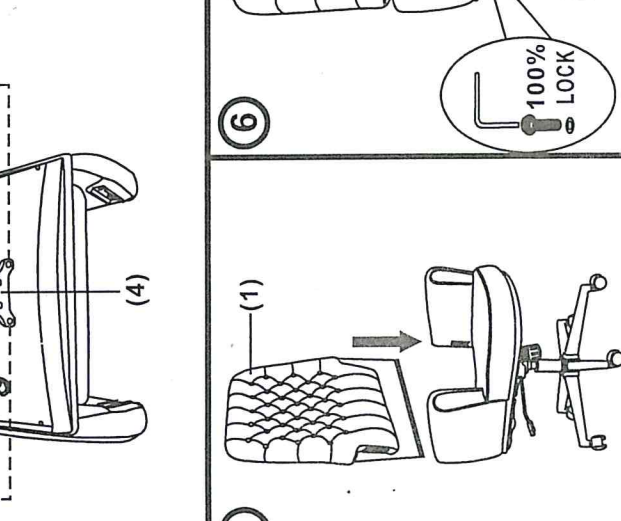
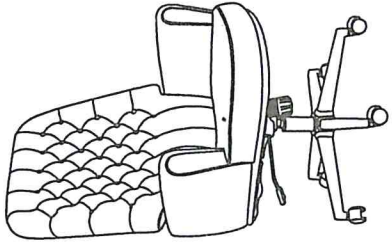


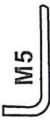
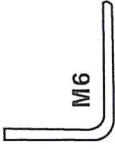
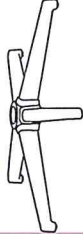


BT-444 PARTS

ASSEMBLY INSTRUCTION

| | | | |
|--|---|---|---|
| <p>(1)X1</p>  | <p>(7)X5</p>  | <p>①</p>  | <p>②</p>  |
| <p>(2)X1</p>  | <p>(8)X4</p>  <p>M6*22mm</p> | <p>③</p>  | <p>④</p>  |
| <p>(3)X1(L)X1(R)</p>  | <p>(9)X4</p>  <p>M8*50mm</p> | <p>⑤</p>  | <p>⑥</p>  |
| <p>(4)X1</p>  | <p>(10)X4</p>  <p>6.5*18*1.5mm</p> | <p>⑦</p>  | <p>⑦</p>  |
| <p>(5)X1</p>  | <p>(11)X4</p>  <p>8.5*22*2mm</p> | <p>(12)X1</p>  <p>M5</p> | <p>(13)X1</p>  <p>M6</p> |
| <p>(6)X1</p>  | | | |