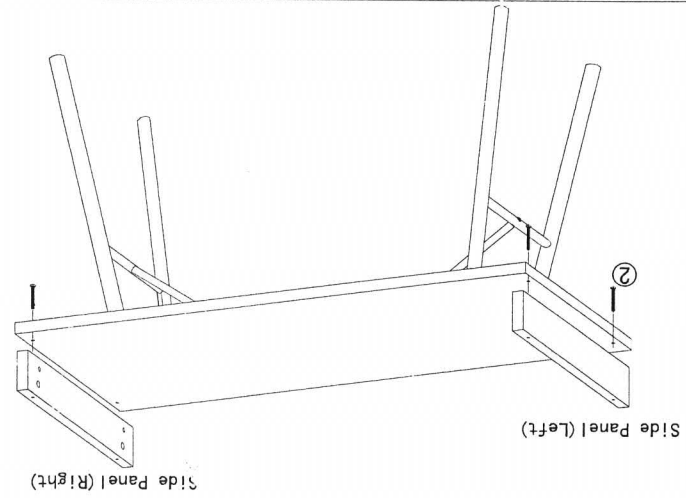
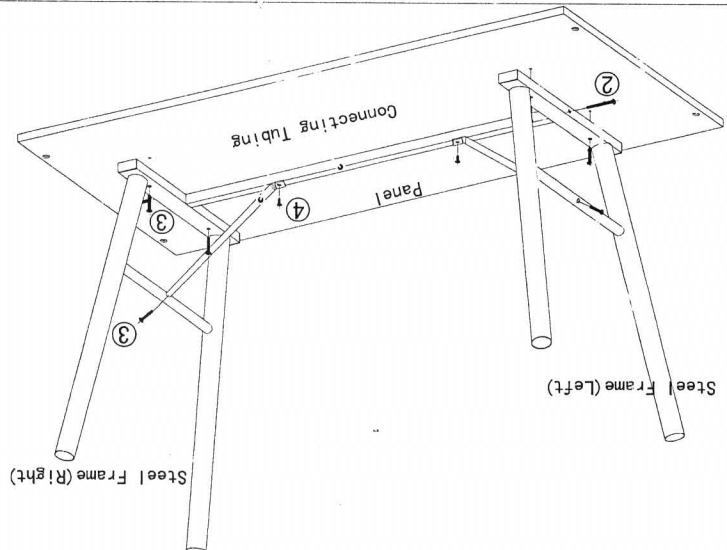


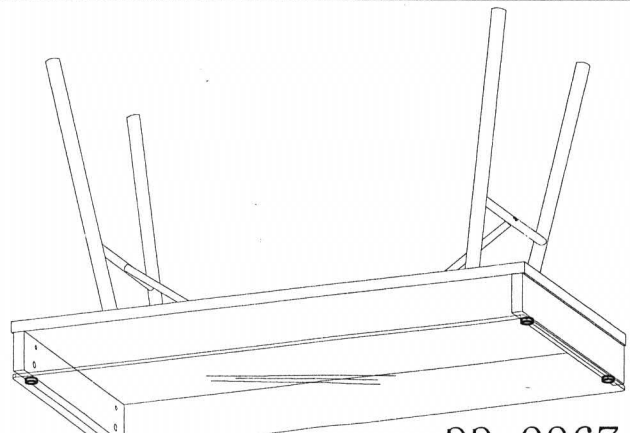
3



2



1



①		M6X55 x 6 x 4
②		M6X55 x 6
③		M6X30 x 6
④		M6X12 x 2
⑤		Eccentric cover x 8