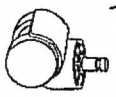


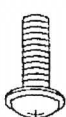
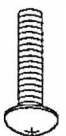

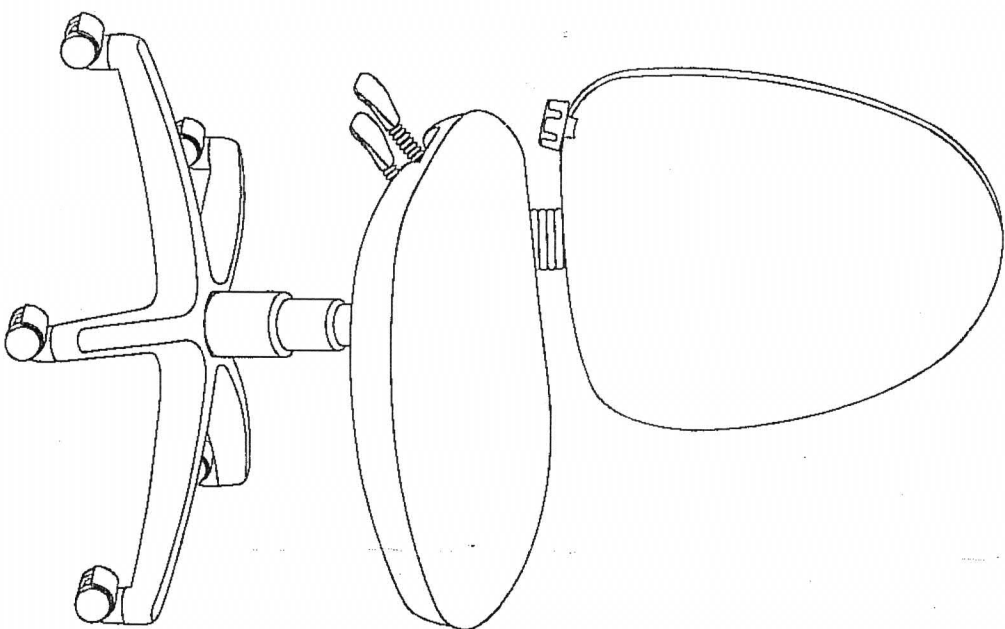


Model A654MG

Assembly Instructions

Parts Listing

- | | | | |
|------|--|------|---|
| A |  | B |  |
| 5PCS | | 1PC | |
| C |  | D |  |
| 1PC | | 4PCS | |
| E |  | F |  |
| 2PCS | | 1PC | |

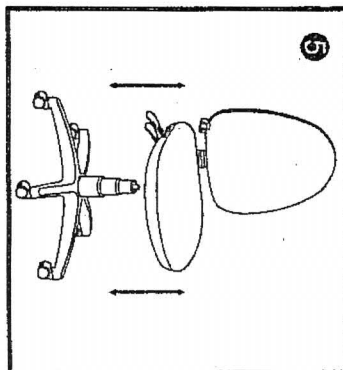
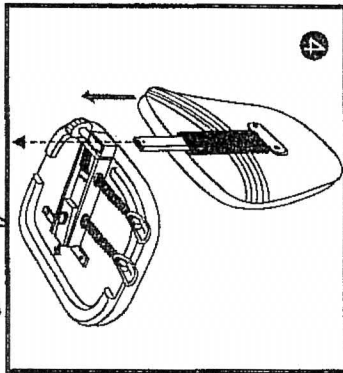
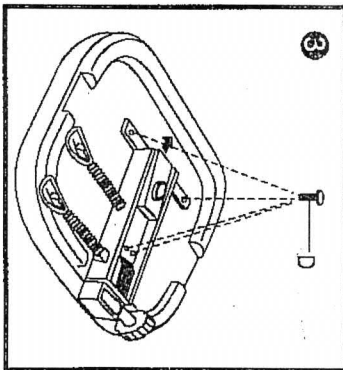
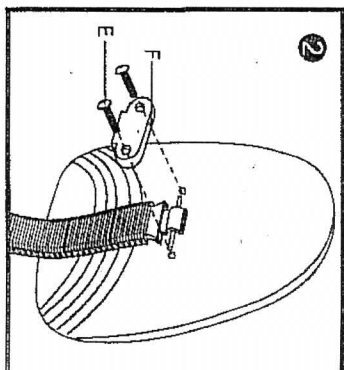
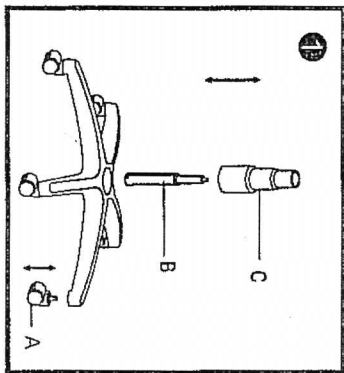


ASSEMBLY NOTES:

During assembly, hand tighten screws only. When all screws are in place, you may then tighten all screws completely.

CAUTION: 1. Do not use this chair as a step ladder.
2. Check for loose screws and tighten them anytime.

Black



WL-A654MG-BK-GG