

SOJAG

produits saisonniers • seasonal products

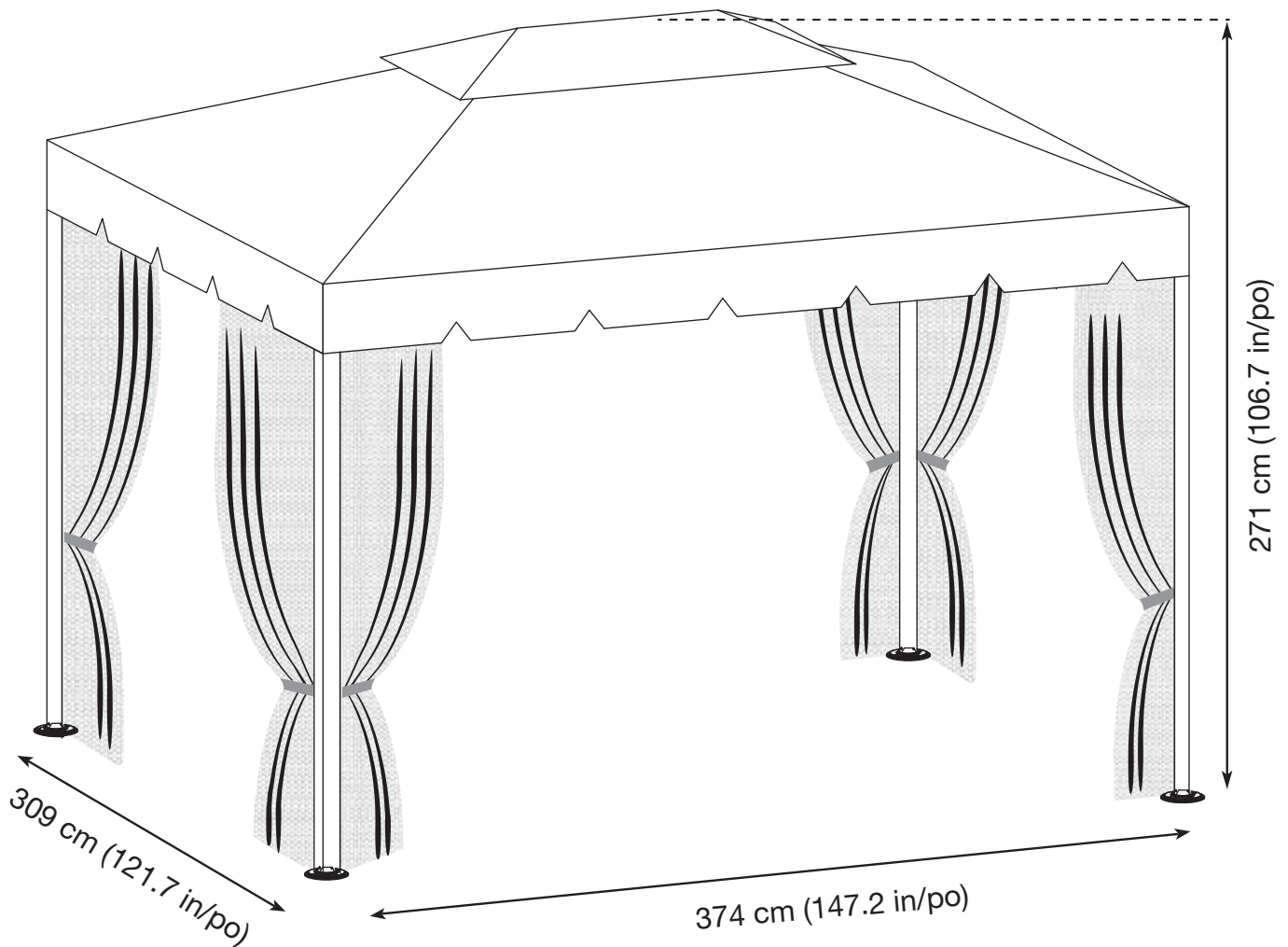


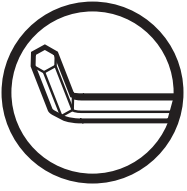
Sojag code: 500-9161182

CUP/UPC code: 772830161182

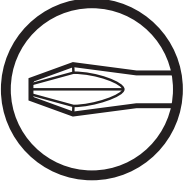
QUESTIONS? 1 866-901-1649

Assembly Manual / Guide d'assemblage / Manual de ensamblaje / 조립 설명서 / Montageanleitung





Use the hex keys in the box. / Utilisez les clés hexagonales fournies dans la boîte. / Utilice las llaves hexagonales en la caja. / 상자에 육각 키를 사용 하십시오. / Verwenden Sie die Sechskantschlüssel in der Box.



Please use a phillips screwdriver / Utilisez un tournevis de type Phillips / Por favor, use un destornillador Phillips / 십자 드라이버를 사용 하십시오. / Bitte verwenden Sie einen Kreuzschraubenzieher.



you may need to use a drill for this step. / vous pouvez avoir besoin d'utiliser une perceuse pour cette étape. / puede que tenga que utilizar un taladro para este paso. / 이 단계에선 드릴을 사용해야 할 수도 있습니다. / Für diesen Schritt können Sie einen Bohrer verwenden.



It is recommended to wear protective gloves / Le port de gants de protection est recommandé / El uso de guantes de protección se recomienda / 보호 장갑을 착용 하는 것이 좋습니다. / Das Tragen von Schutzhandschuhen wird empfohlen.



Two or more people are required at this stage. / Deux personnes ou plus sont nécessaires à cette étape. / Dos o más personas se requieren en esta etapa. / 이 단계에서는 두 명 이상이 필요합니다. / Für diesen Bauschritt sind 2 oder mehr Personen erforderlich.




Do not screw firmly for now. / Ne pas visser fermement pour l'instant. / No atornille con firmeza por ahora. / 아직 나사를 단단히 조이지 마십시오. / Bitte die Schrauben zum jetzigen Zeitpunkt noch nicht fest anziehen.

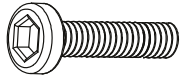


Sold in options / Vendus en options / vendido en las opciones / 옵션 판매 / Optional erhältlich


O X8(+1)



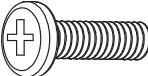
N X40(+4)



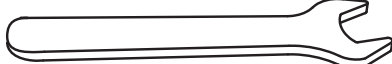
Q X8(+1)



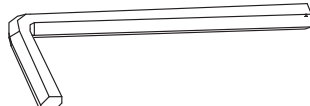
P X24(+2)




R X1



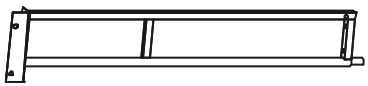
S X1




A X4



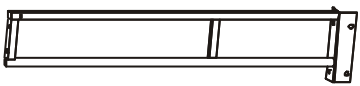
B X2



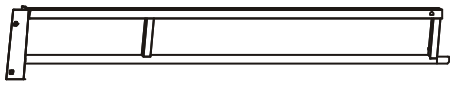
B1 X2




C X2




C1 X2

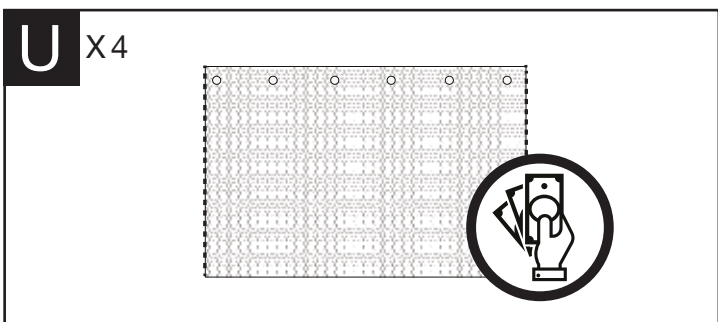
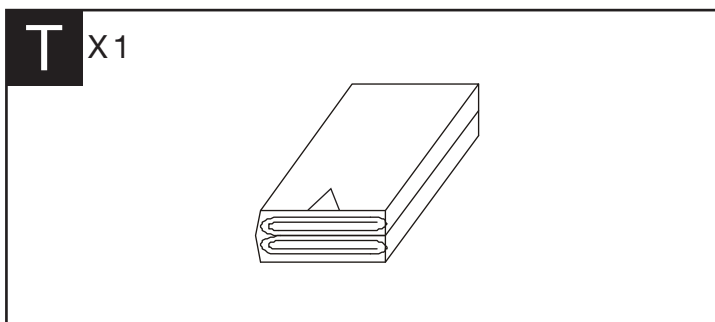
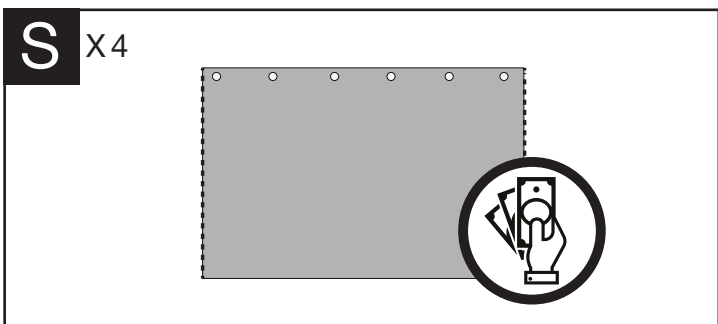
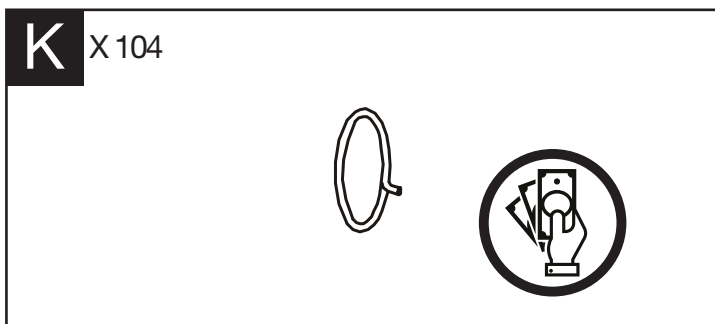
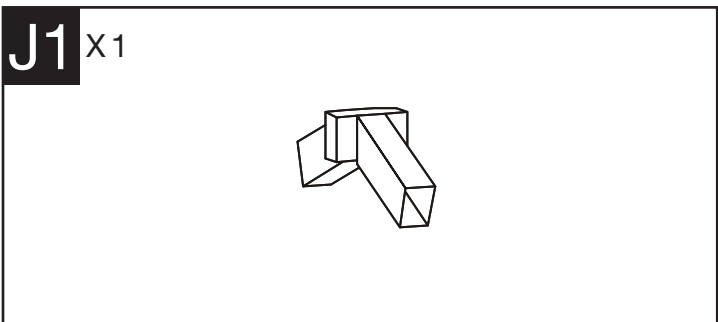
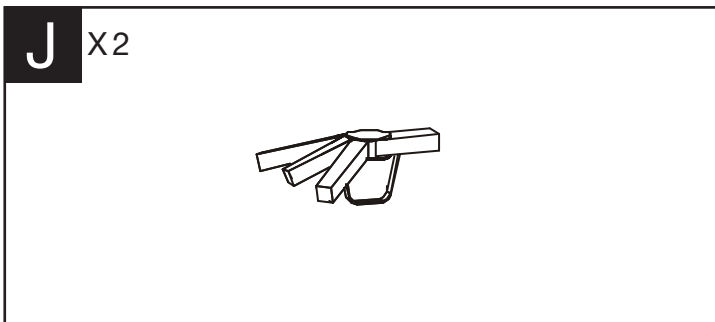
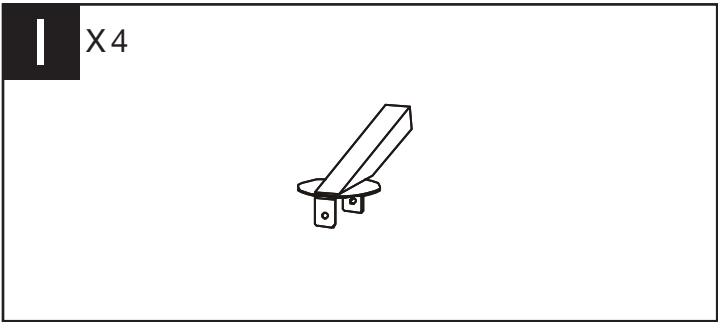
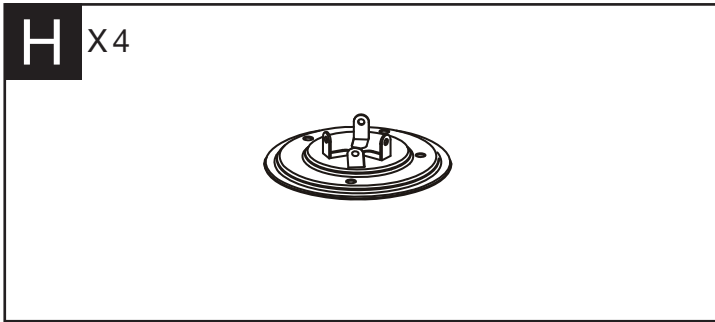
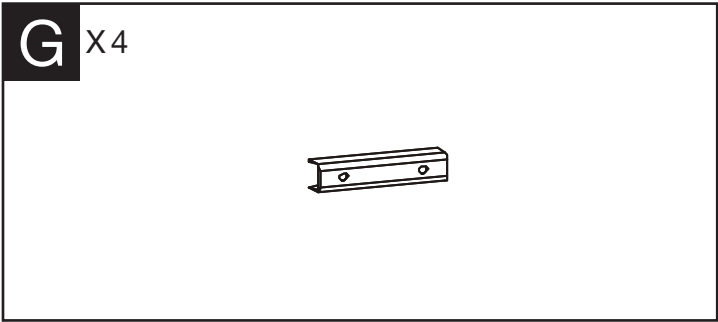
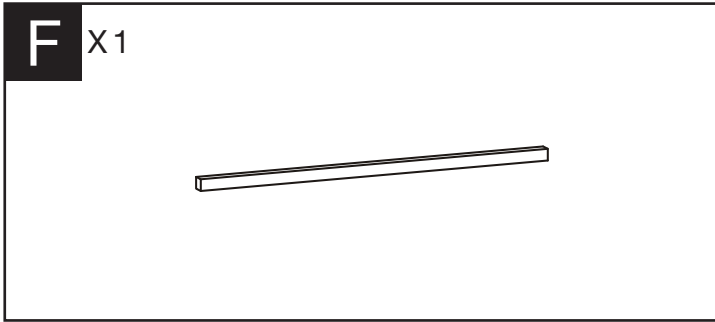


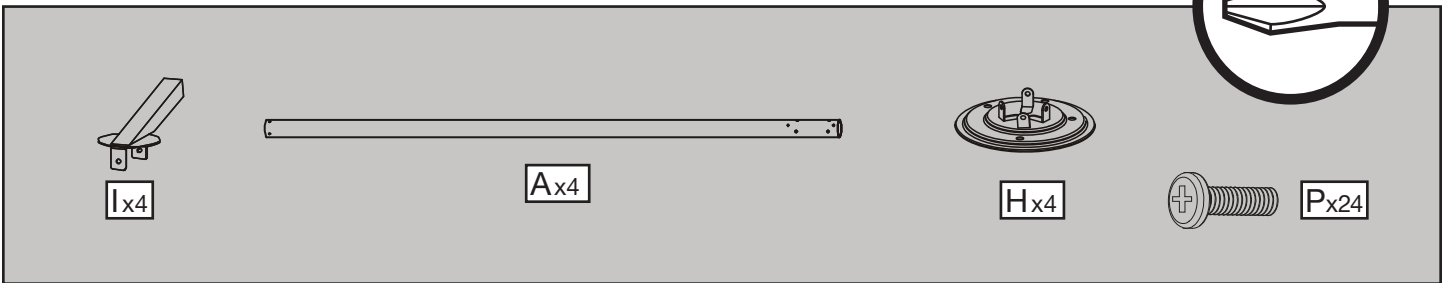
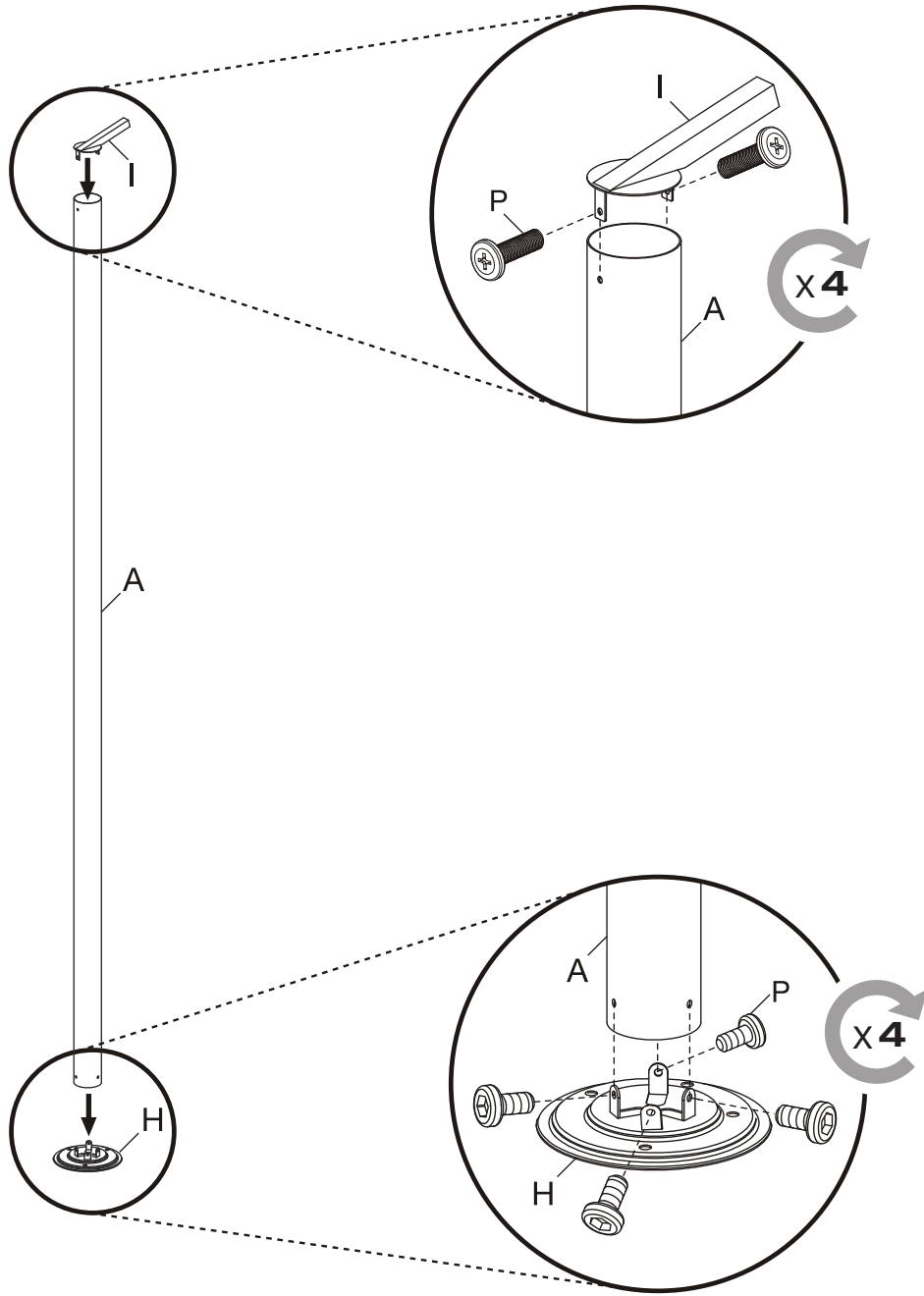
D X4

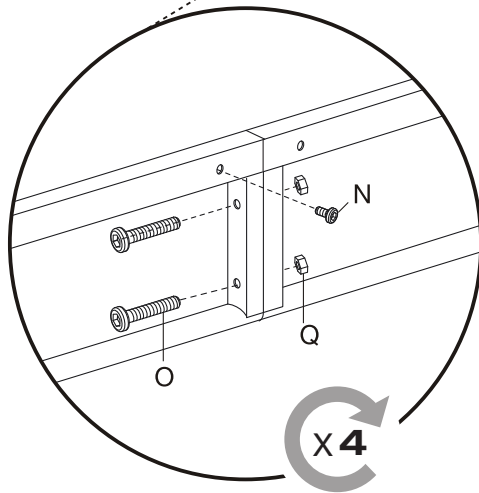
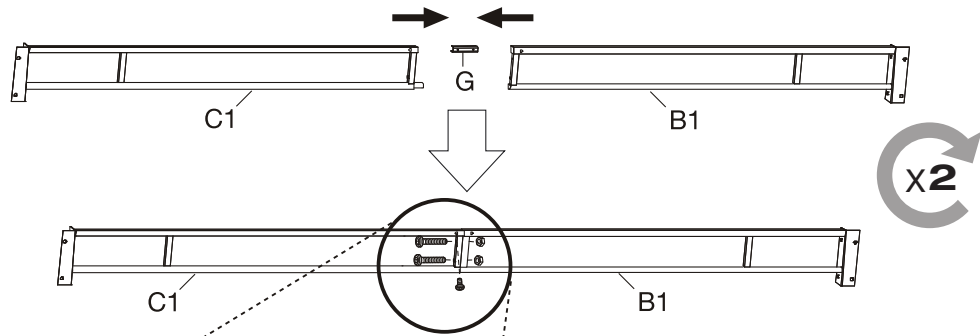
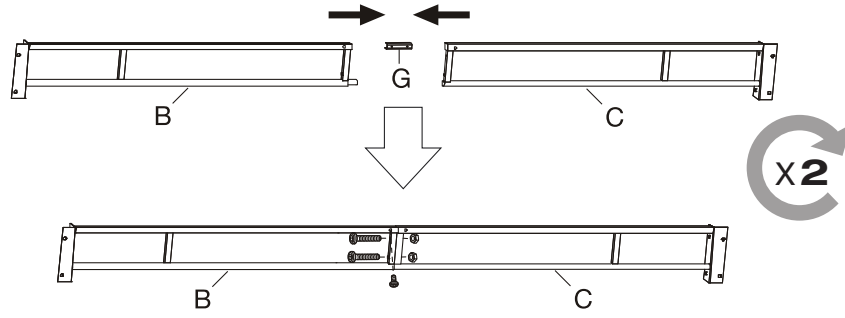


E X4

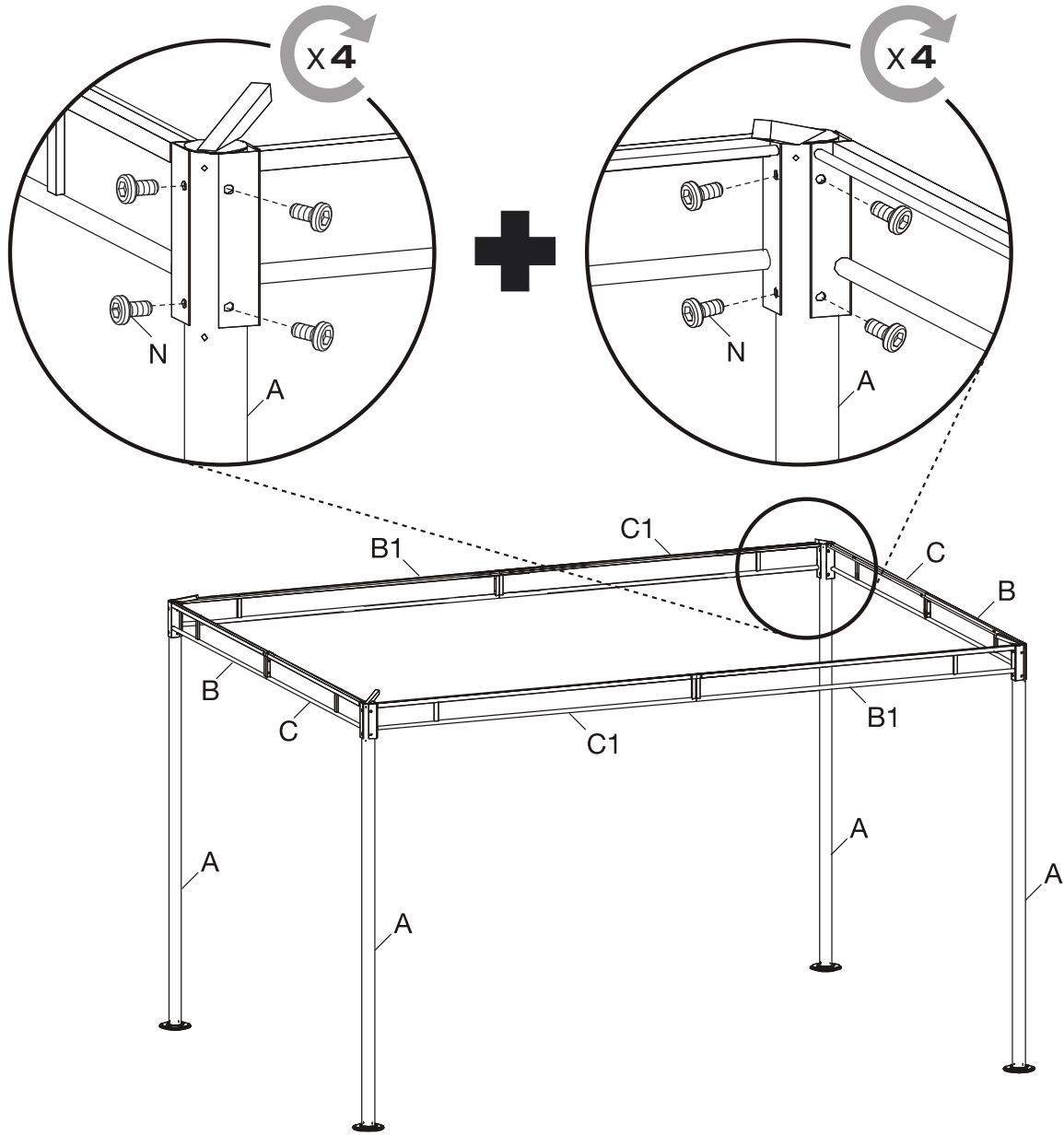




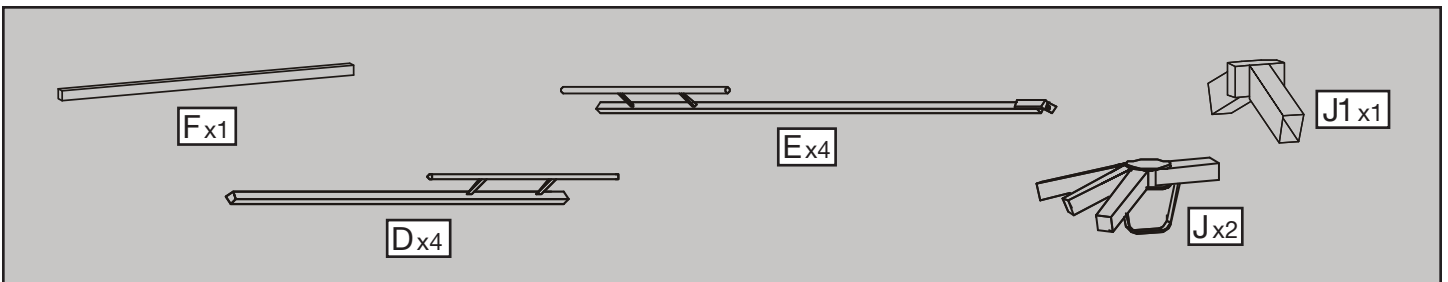
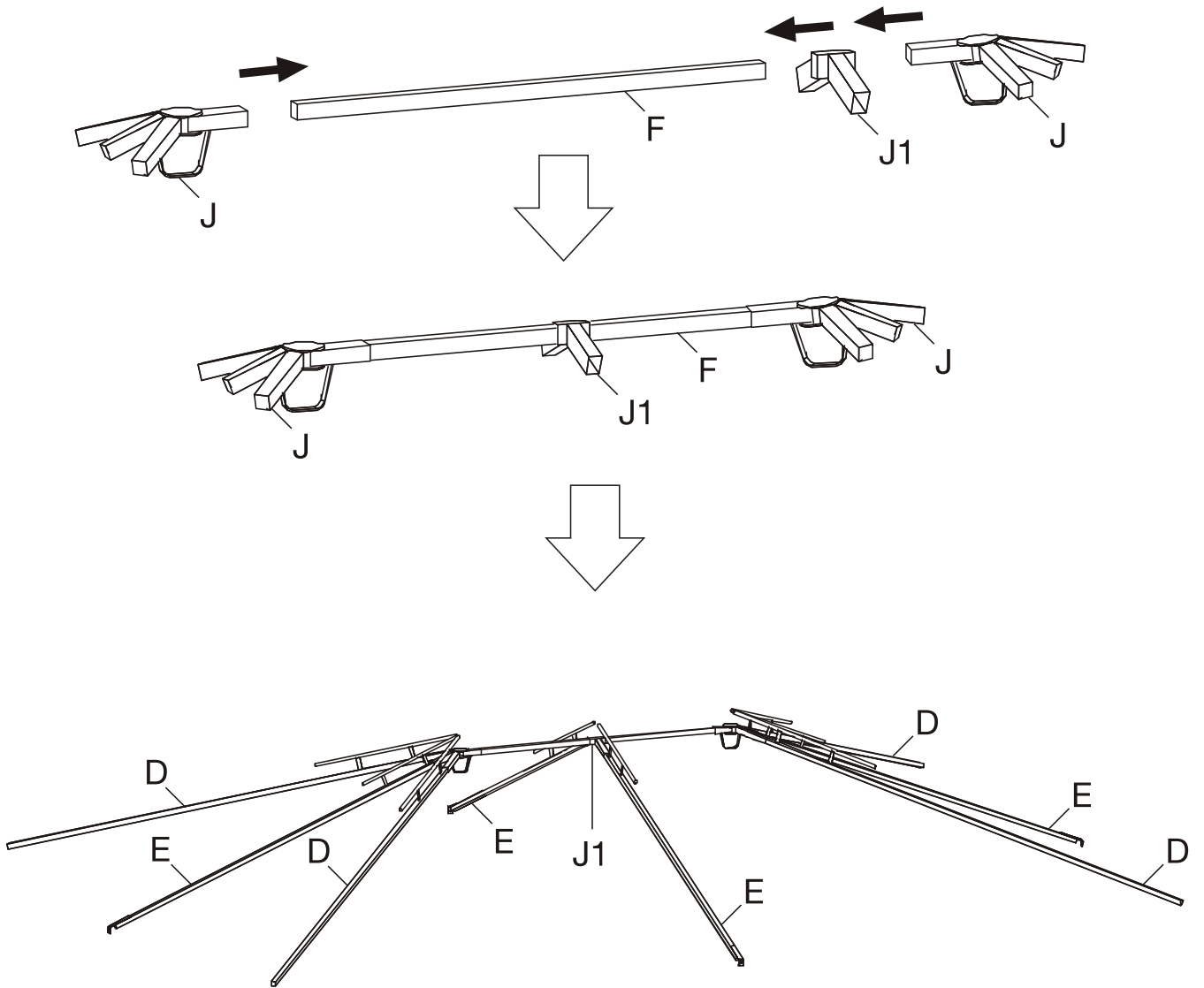


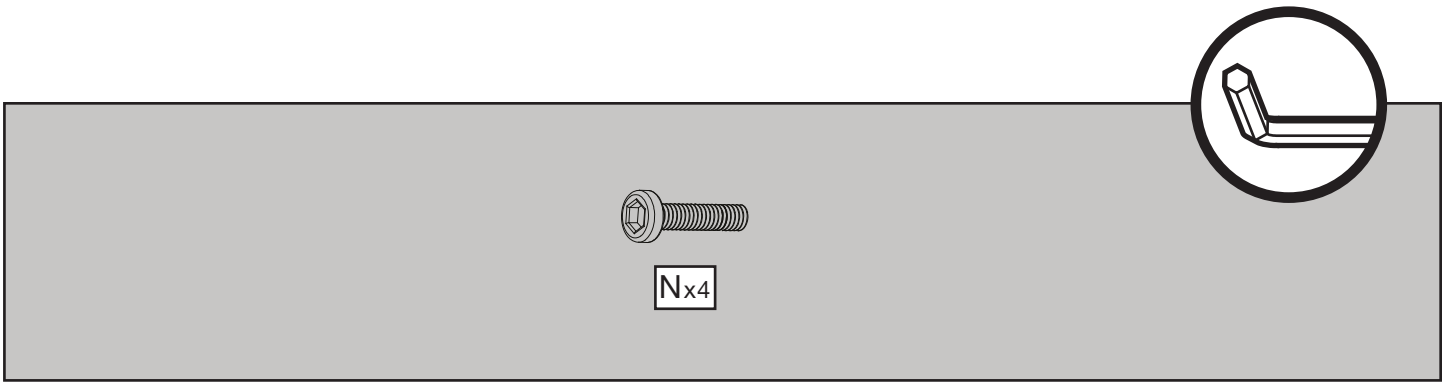
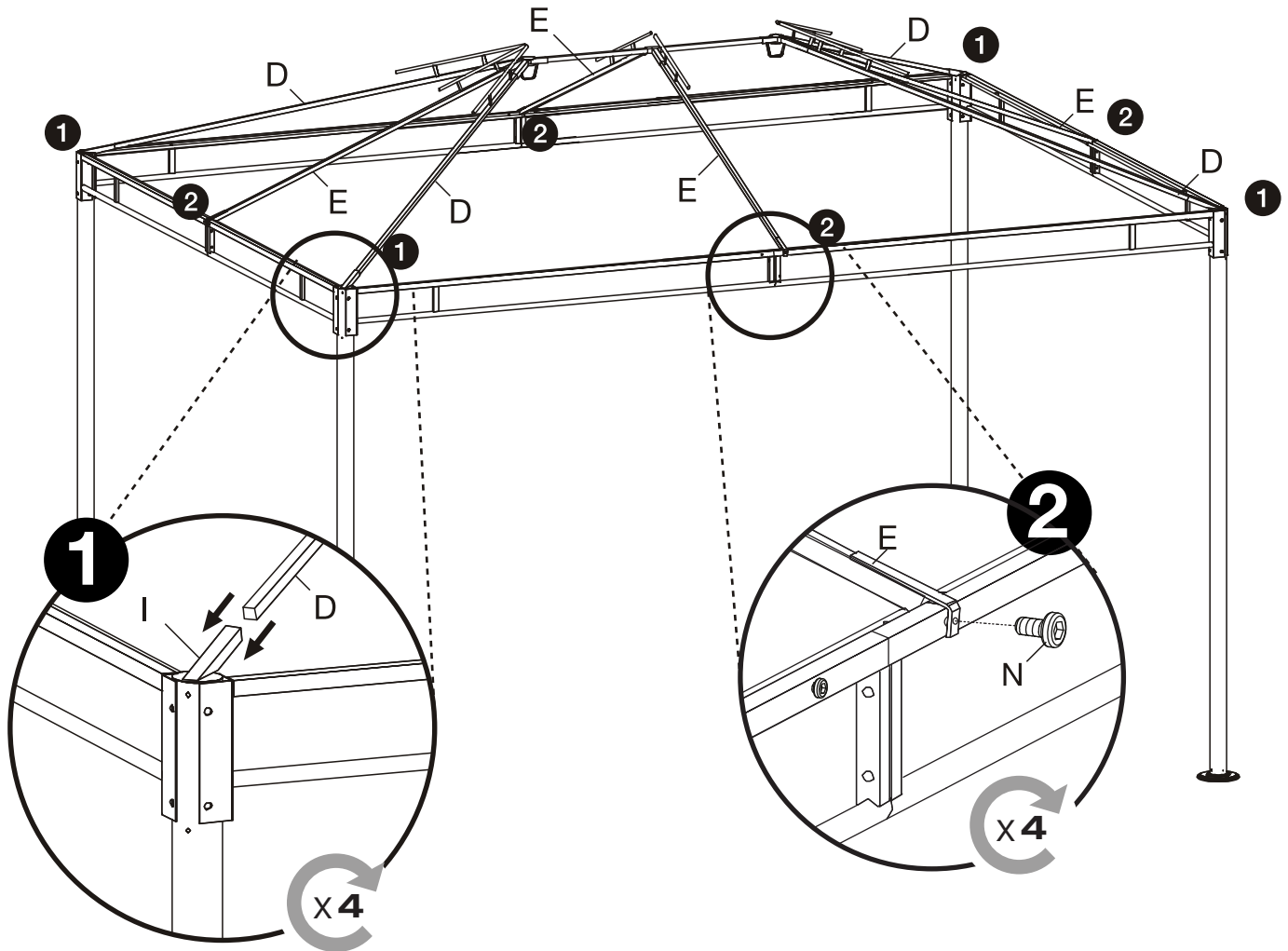


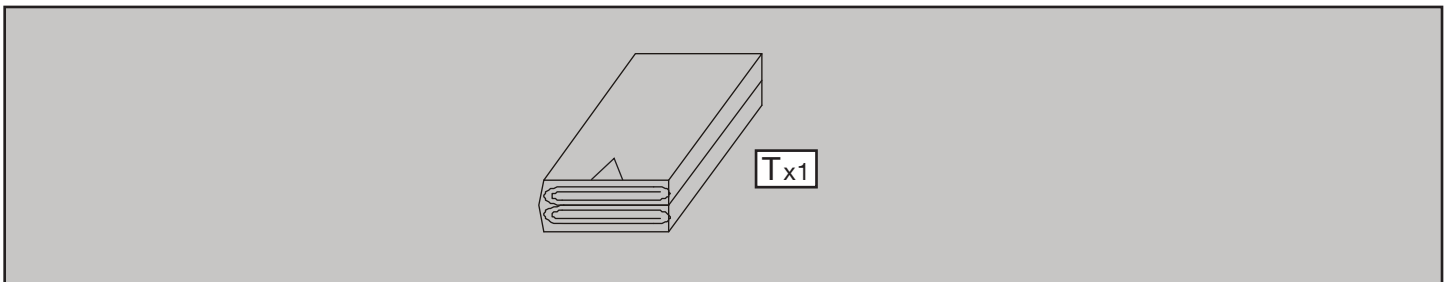
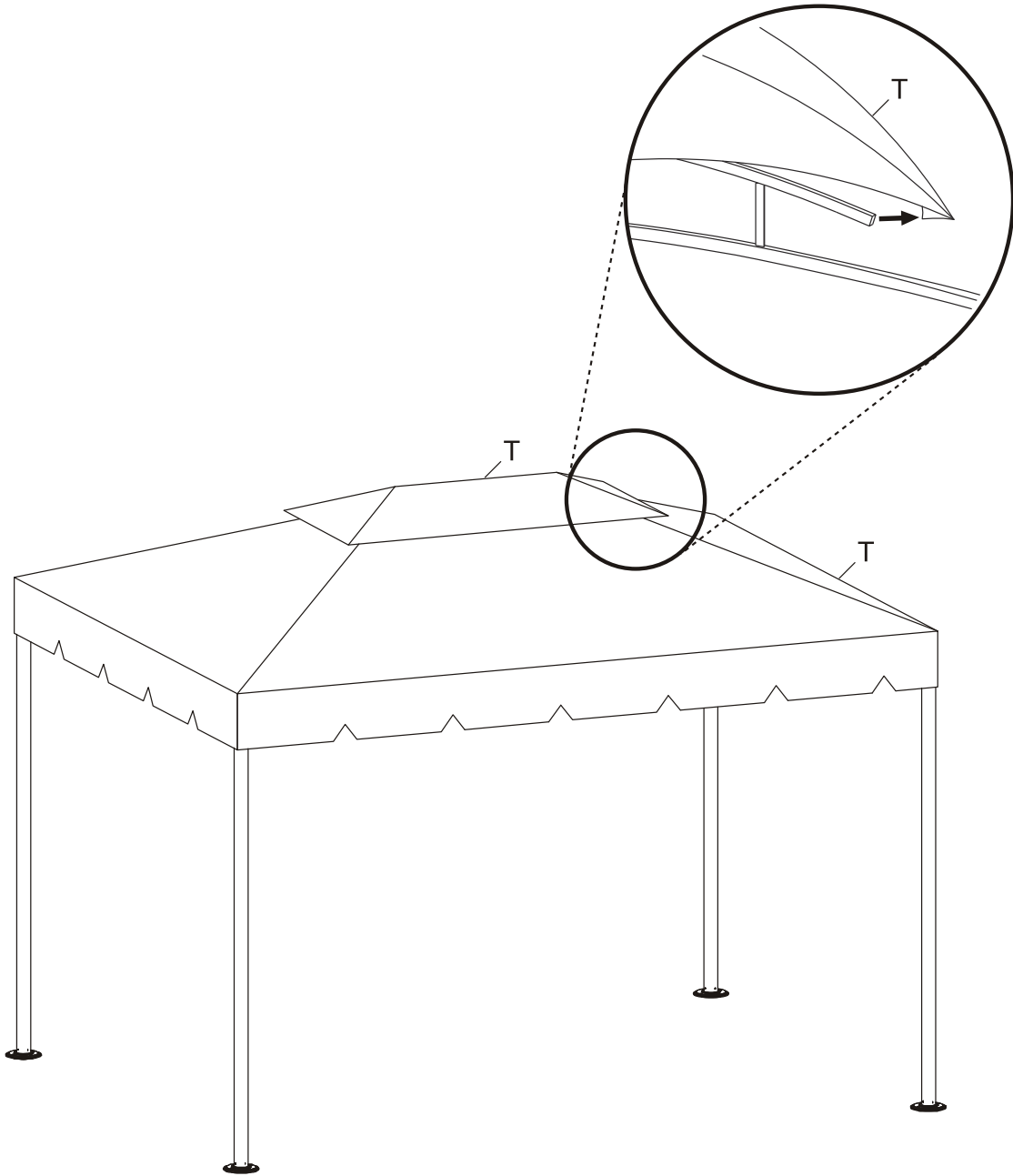
Parts list diagram showing components Bx2, Cx2, B1x2, C1x2, Gx4, Nx4, OX8, Qx8, and a circular icon of a bent metal rod.

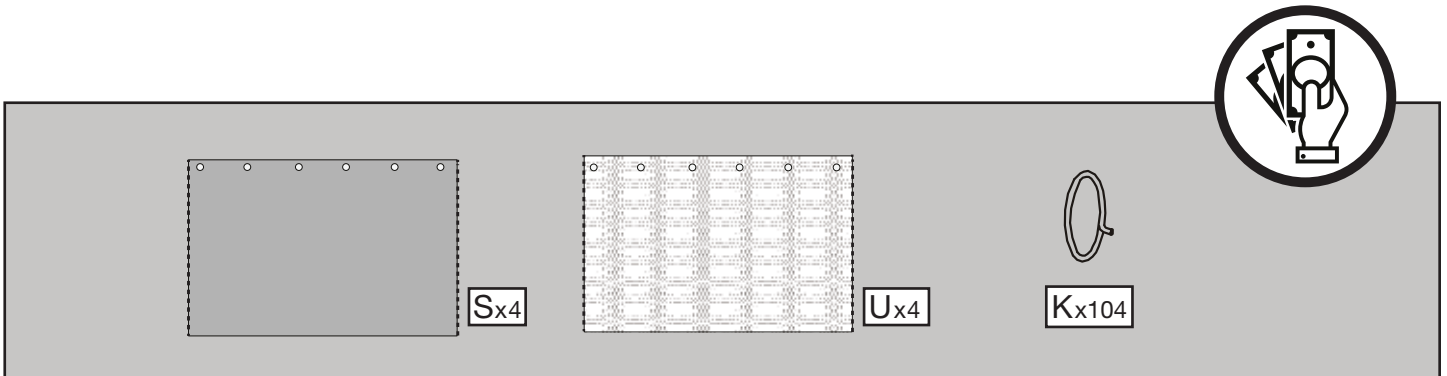
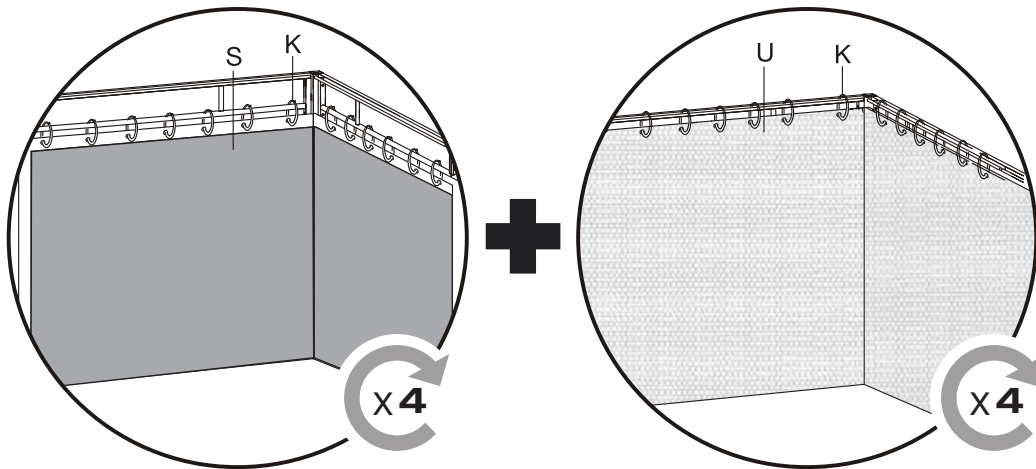
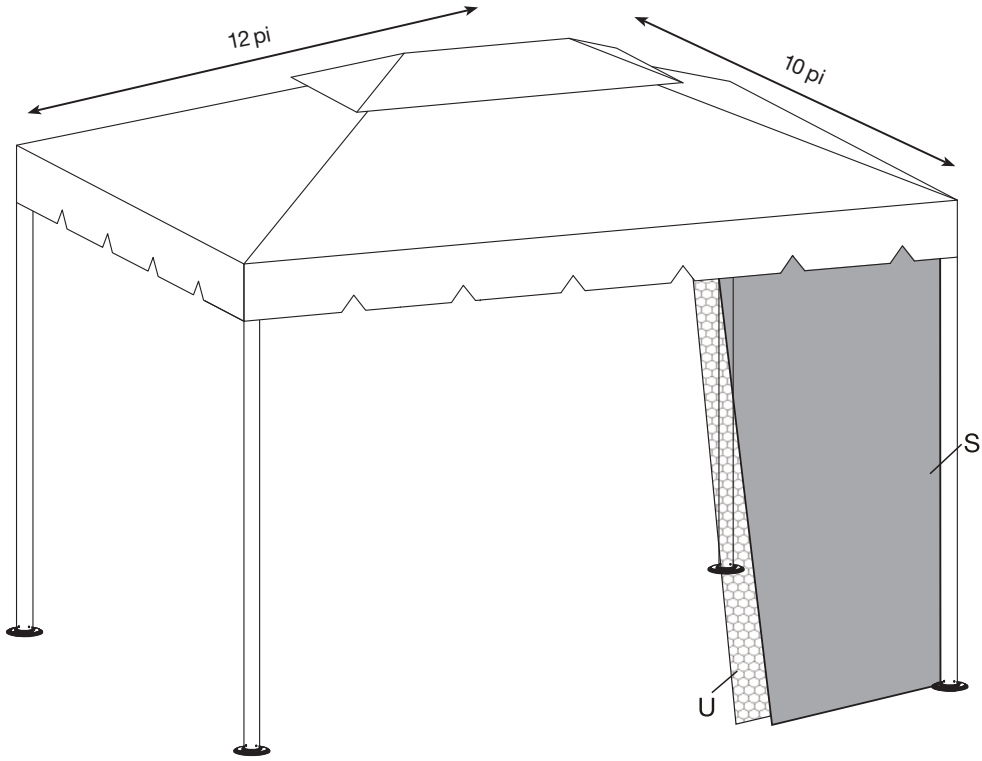


This section contains the material list and safety information for step 3/7. On the left, a single bolt is shown with the label 'Nx32' below it. To the right of the bolt are two circular icons: the first shows two stylized human figures with the text '2+' below them, indicating that two people are required for assembly; the second shows a hex key (Allen key) inserted into a hole, indicating that a hex key is needed for this step.









SOJAG ■ I
produits saisonniers • seasonal products