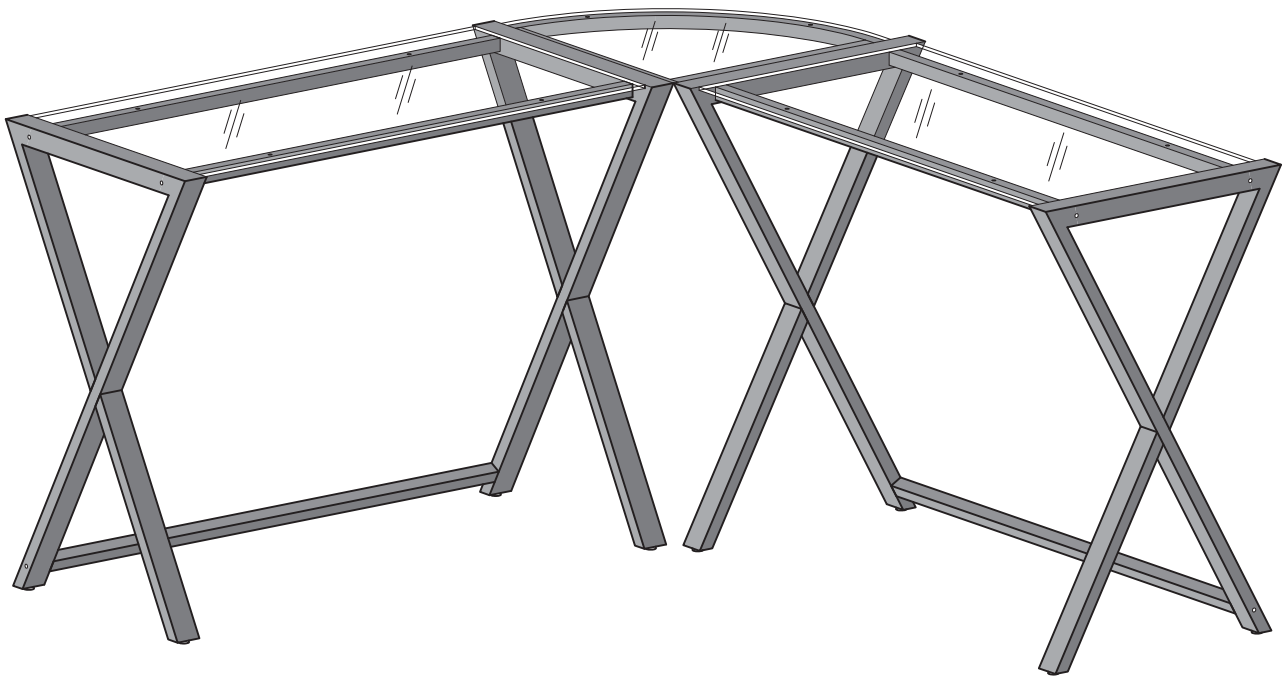


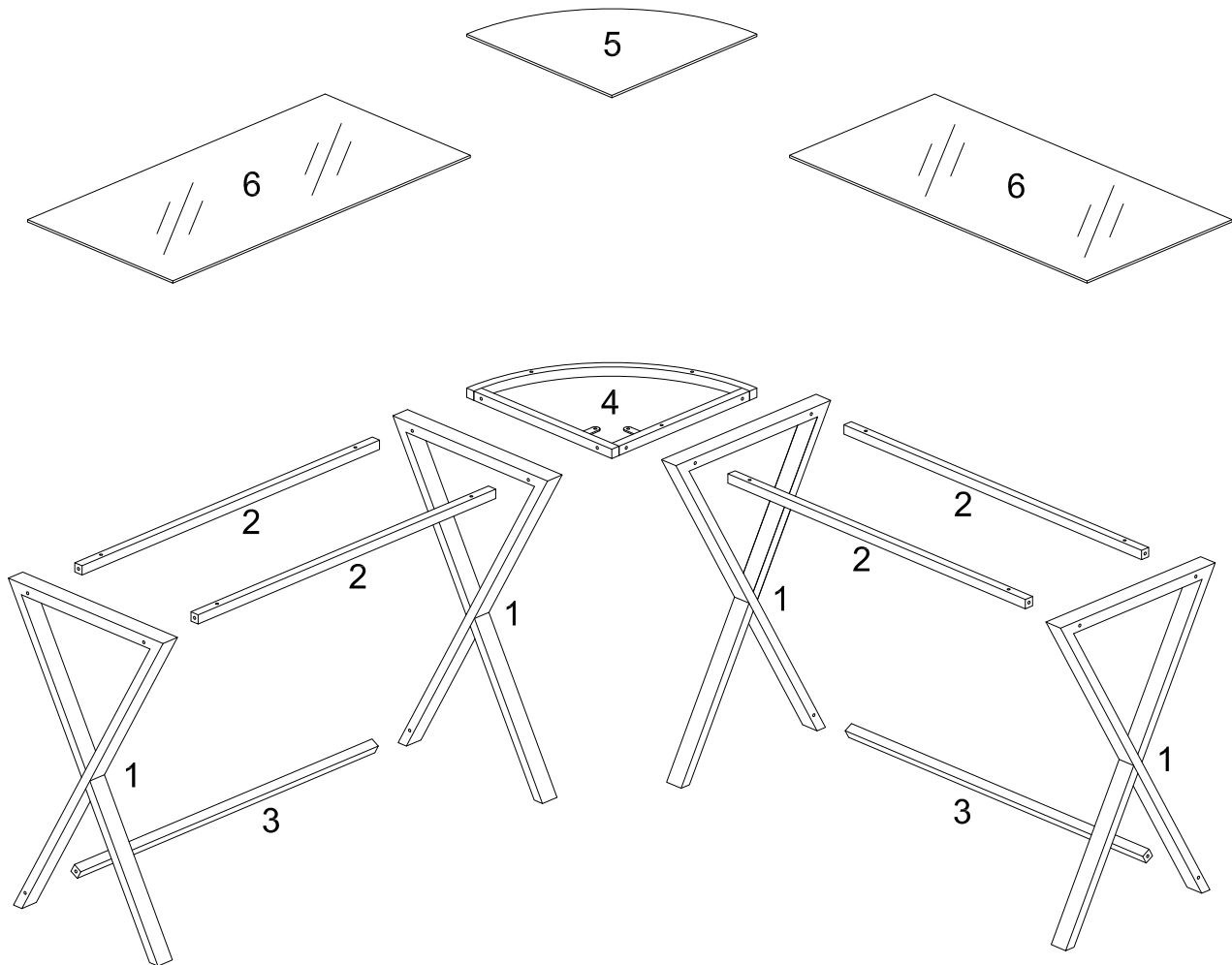
Item # :D51X29
Assembly Instructions




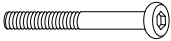

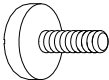

Please visit our website for the most current instructions, assembly tips, report damage, or request parts. www.walkeredison.com

Revised 03/2017

Parts List

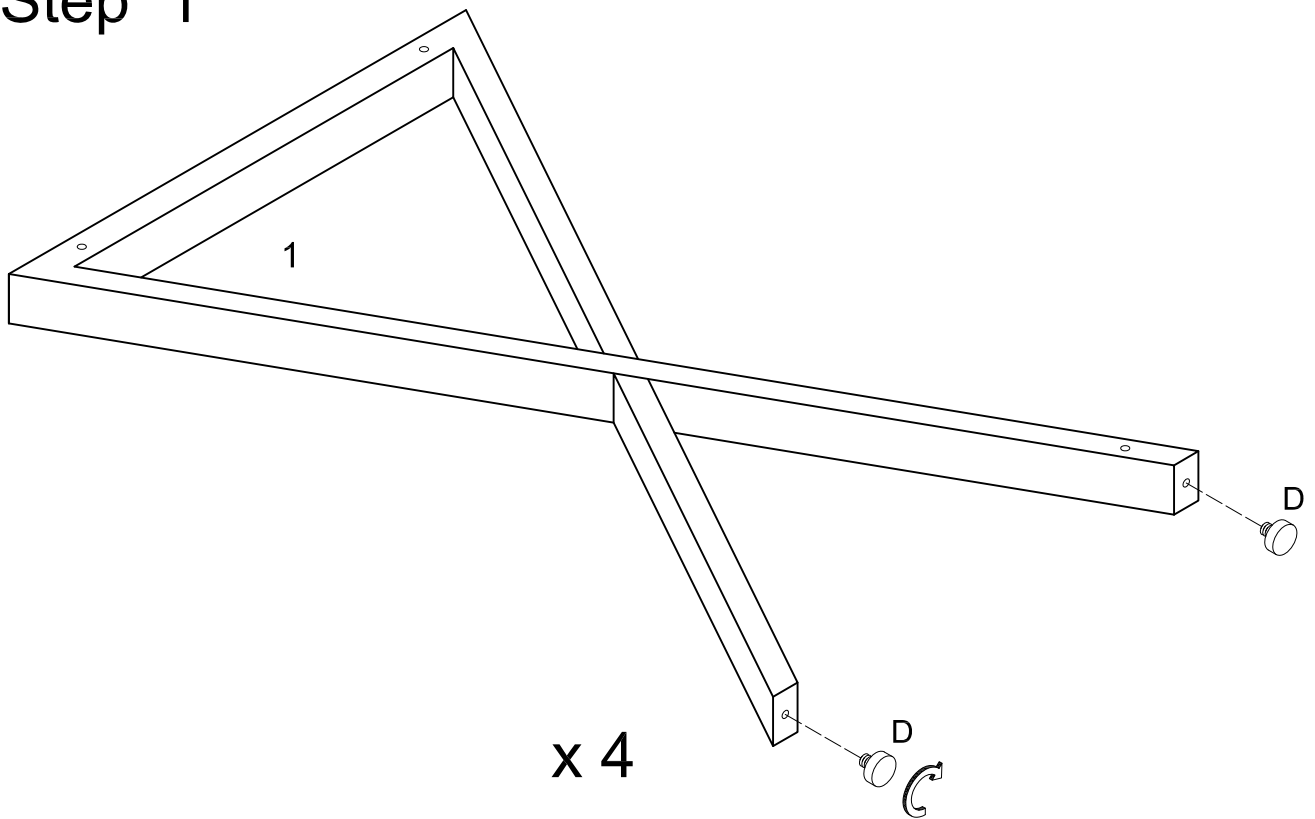


Hardware List

| | | | | |
|---|---|-----------|--------------------|--------|
| A |  | M6*55(mm) | Short bolt | 8 pcs |
| B |  | M6*70(mm) | Long bolt | 4 pcs |
| C |  | | Rubber suction cup | 12 pcs |
| D |  | | Desk feet | 8 pcs |
| E |  | M4(mm) | Allen wrench | 1 pc |

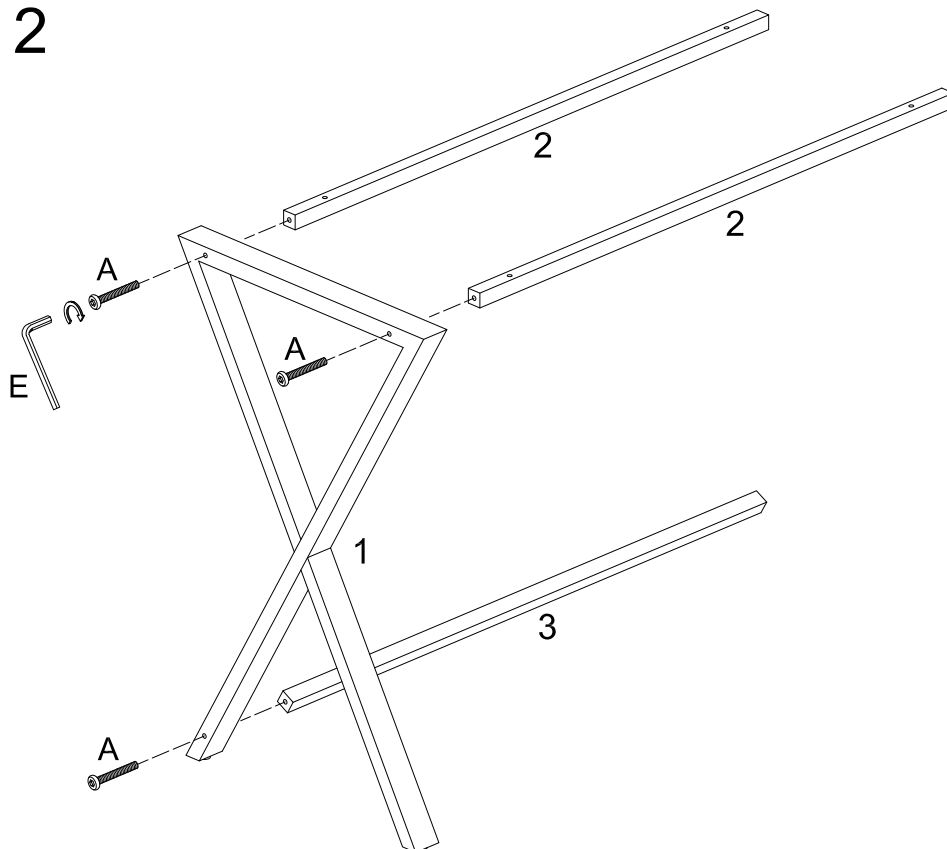
*The hardware quantities listed above are required for proper assembly.
Some extra hardware may also have been included.*

Step 1



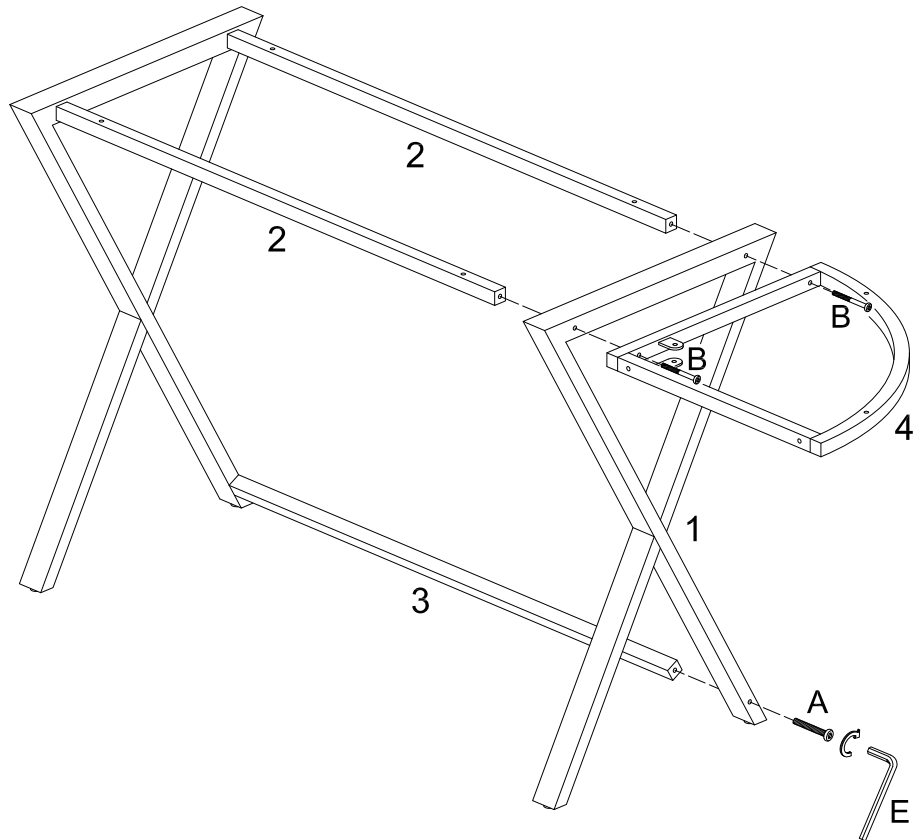
Screw feet (D) into legs (1).

Step 2



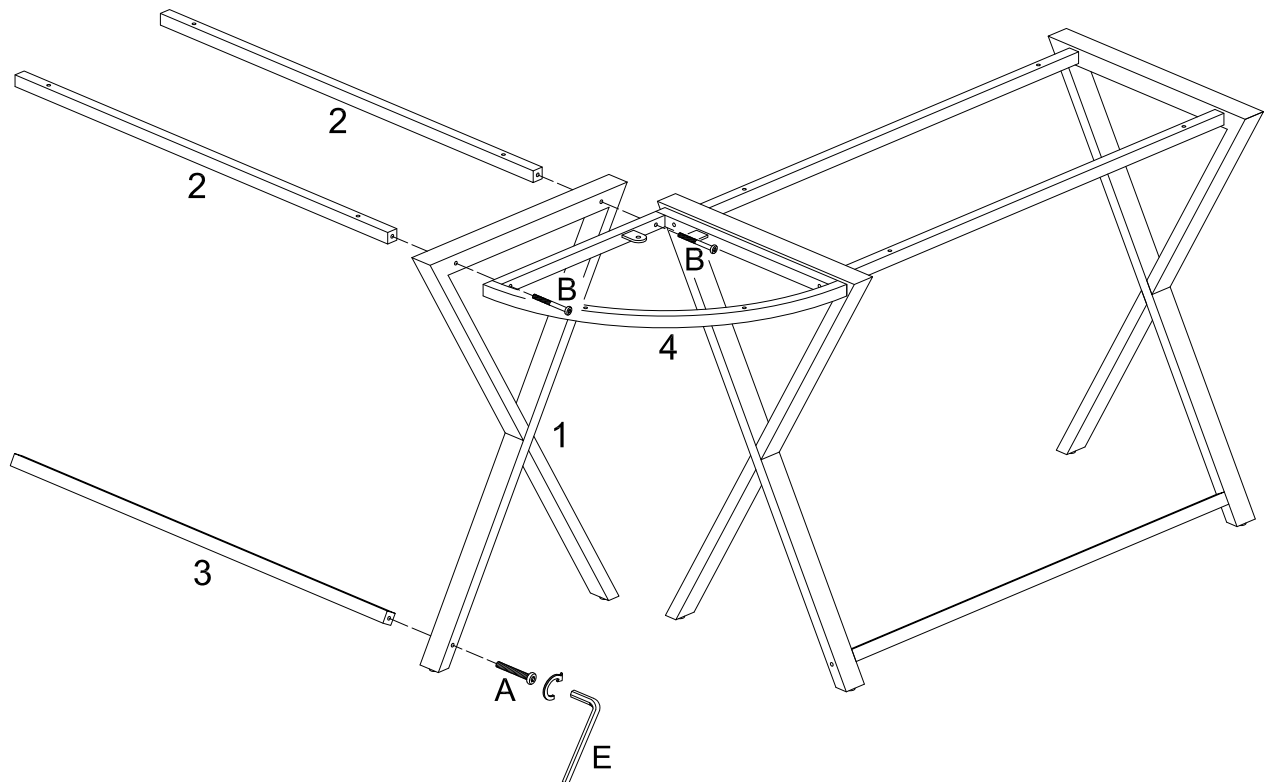
Attach upper crossbars (2) and lower crossbar (3) to legs (1) using short bolts (A). Tighten short bolts (A) with wrench (E).

Step 3



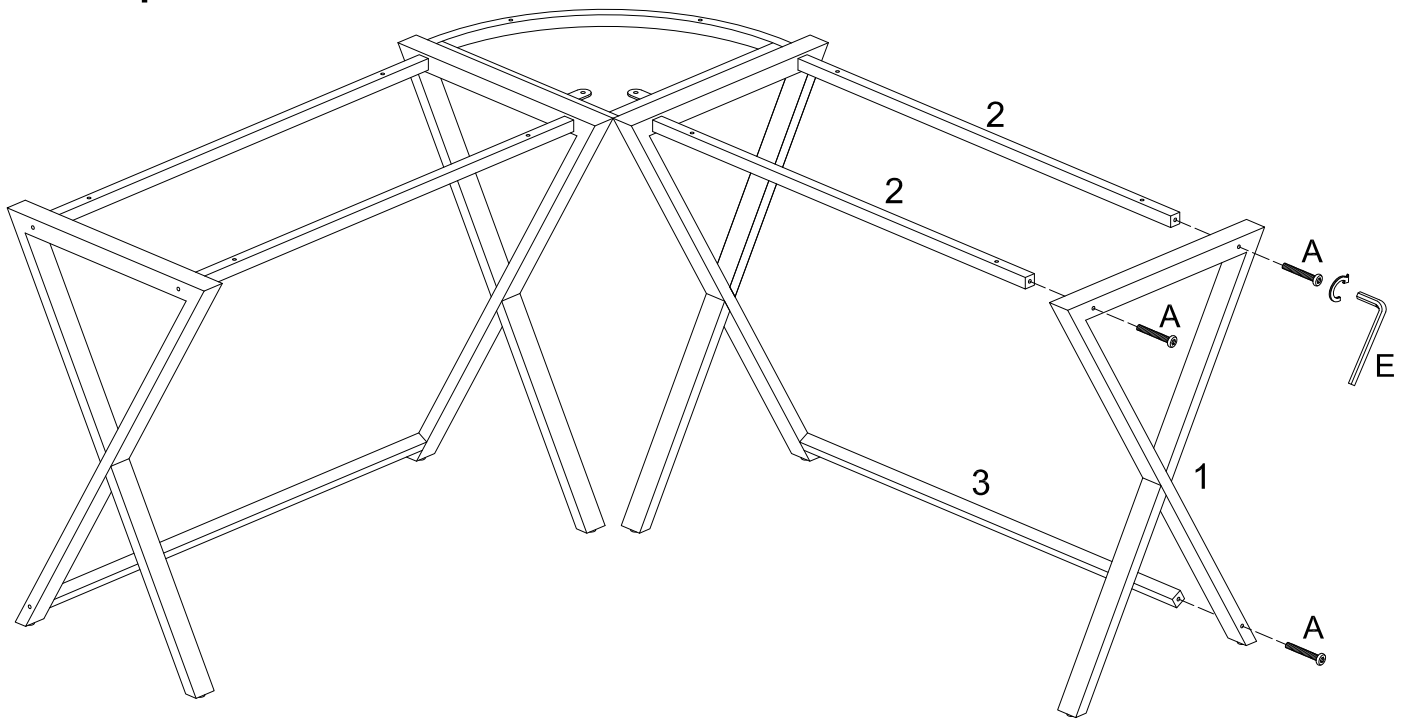
Attach leg (1) and corner frame (4) to the assembly from the previous step using long bolts (B) .Secure leg (1) to lower crossbar (3) using short bolt (A) . Tighten all bolts with wrench (E).

Step 4



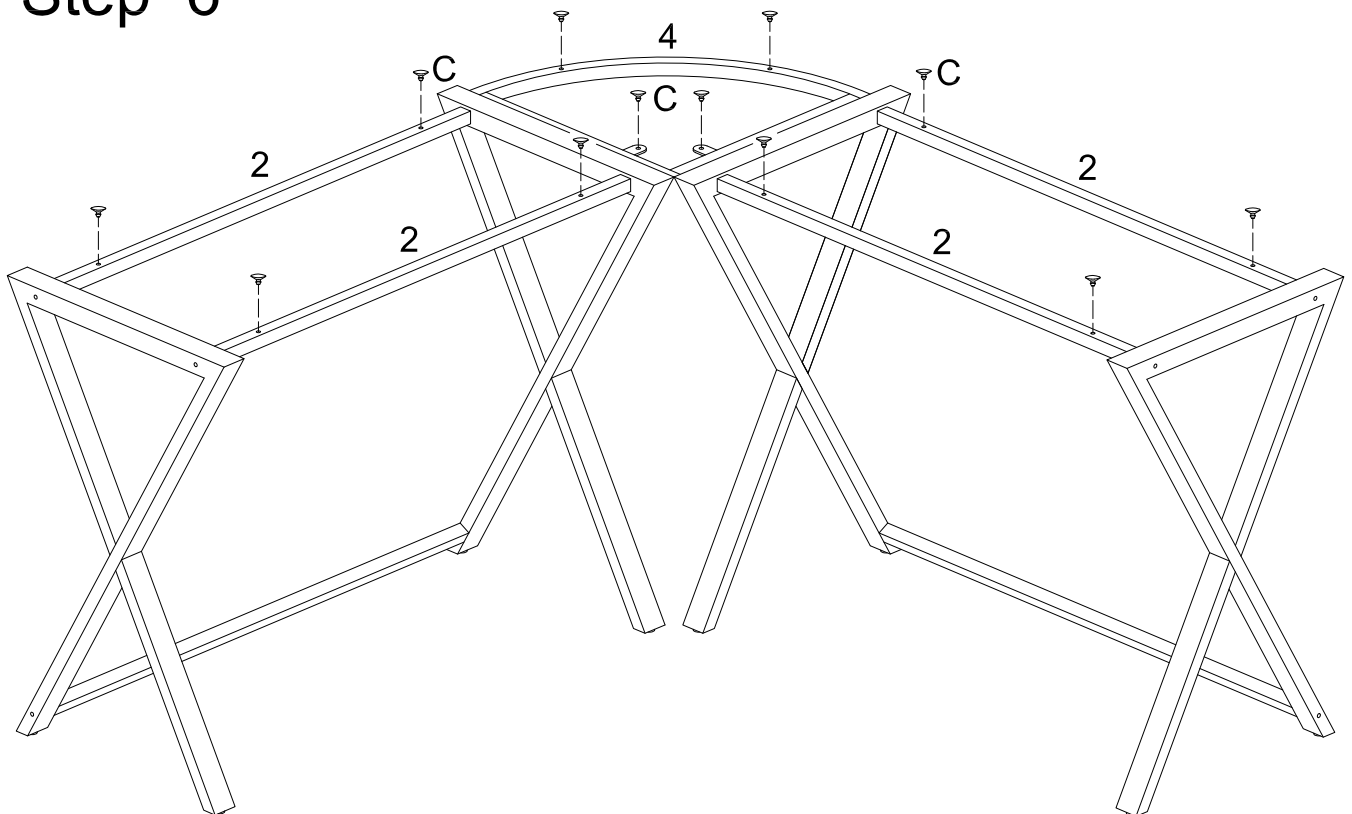
Attach leg (1) and crossbars (2) to corner frame (4) using long bolts (B) .Attach lower crossbar (3) to leg (1) using short bolt (A) . Tighten all bolts with wrench (E).

Step 5



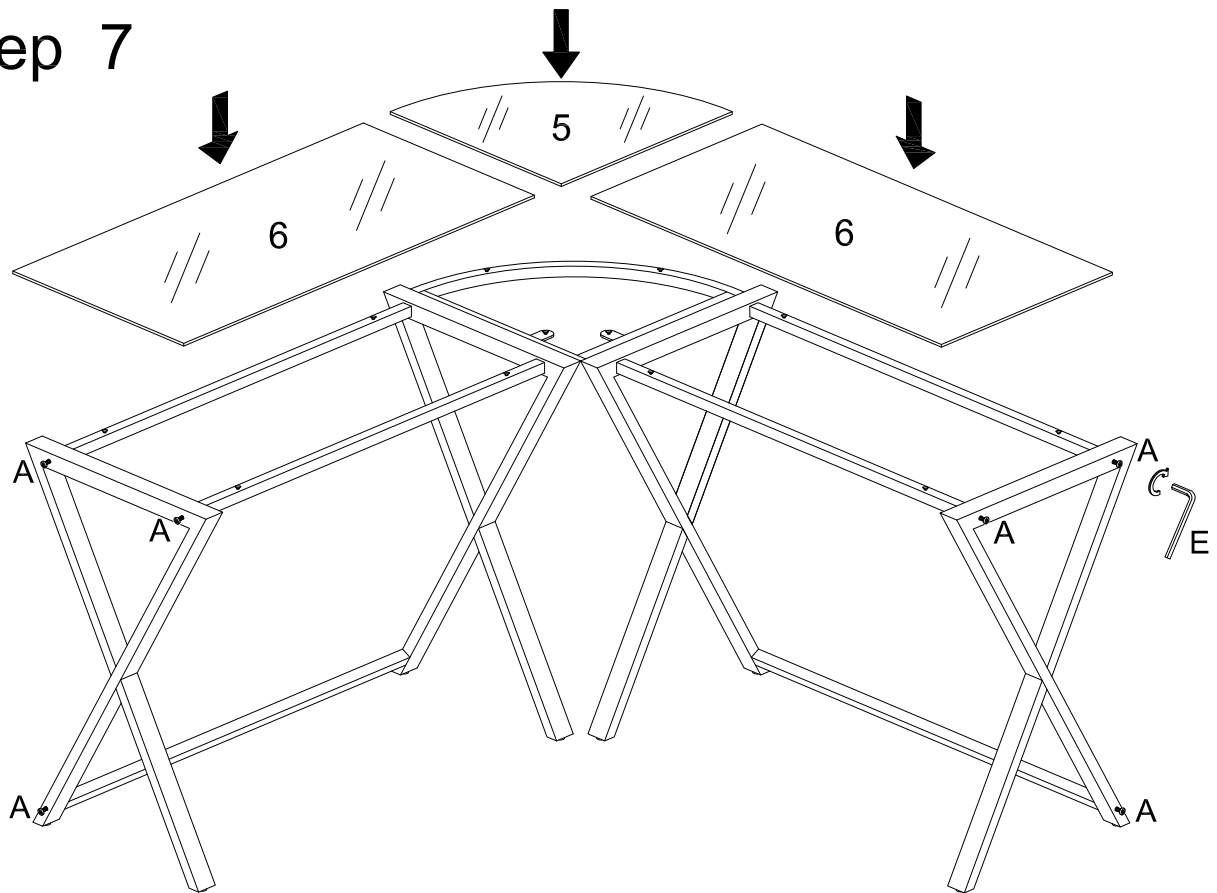
Attach leg (1) to upper crossbars (2) and lower crossbar (3) using short bolt (A). Loosely tighten short bolts (A) with wrench (E).

Step 6



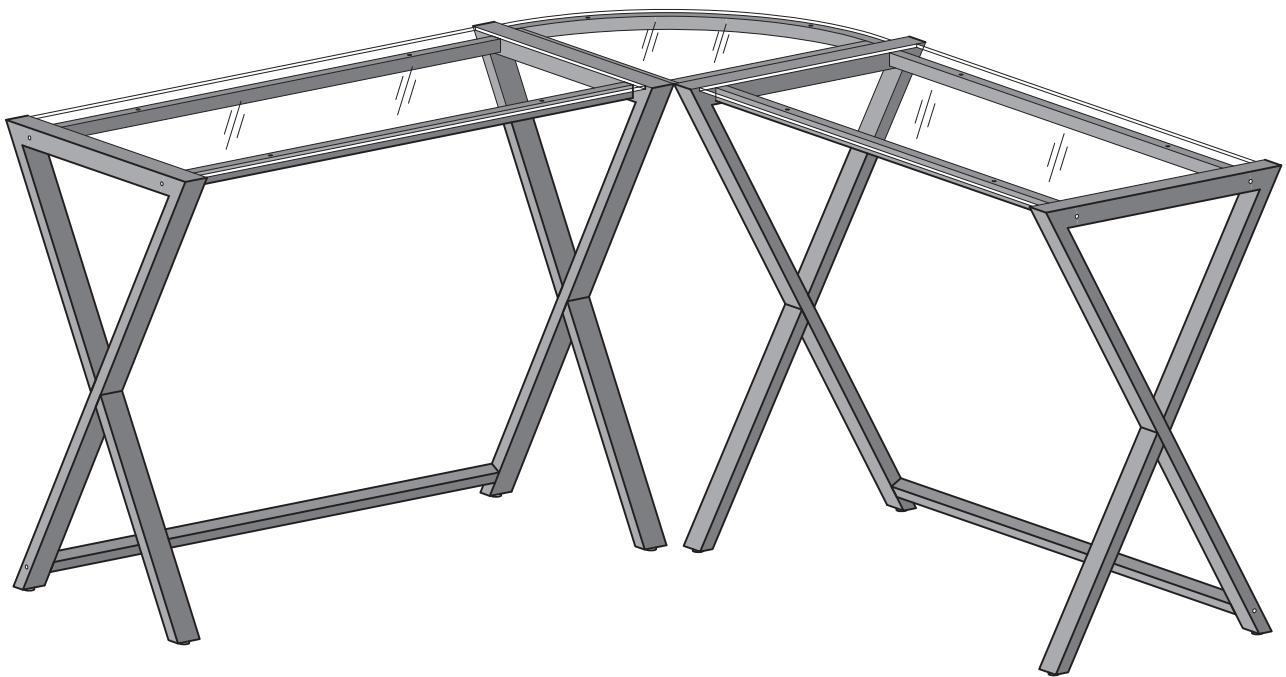
Insert rubber suction cups (C) into the desk frame as shown above.

Step 7



Carefully lay glass (6) and corner glass (5) into place and gently press on the suction cups to secure. Firmly tighten all bolts (A) with wrench (E).

Step 8



Final Assembly