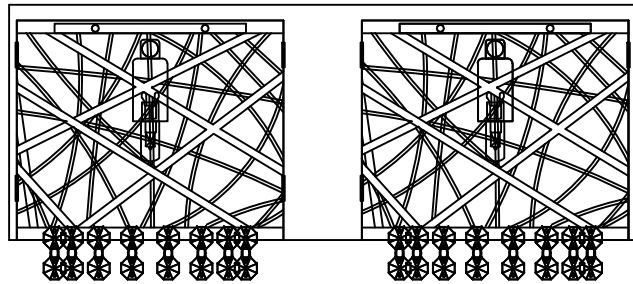


Trade Mark:  
CRYSTAL WORLD INC



Product Name: Wall lamp  
Model :5008W16ST-R-2  
120Vac, 60Hz, AC ONLY  
Lamp Size: W16"\*H7"\*E4"

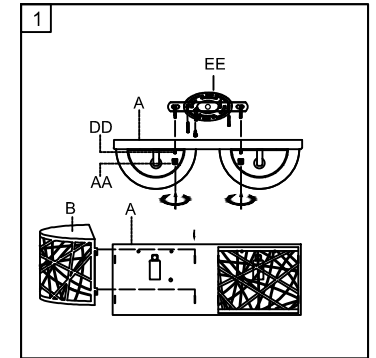


## WALL LAMP ASSEMBLY INSTRUCTIONS


1. Place fixture (A) onto mounting screws (DD). secure with cap nuts (AA). Place (B) onto (A).

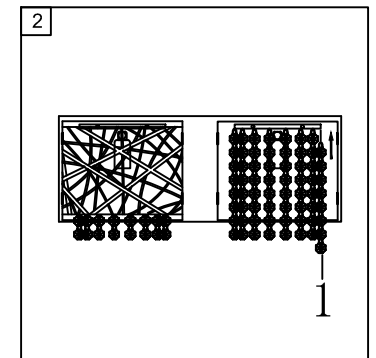
### Hardware Used

AA Cap nut  X 2  
DD Mounting screw  X 2



2. Please hang the crystal (1) to the fixture (A).

1  
 14mm\*8PCS  
16PCS



3. Install light bulbs ( not included).  
Use bulb

120V  G9 2x40W Max.

