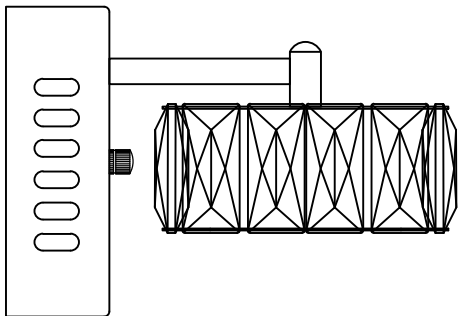


Trade Mark:
CRYSTAL WORLD INC

Product Name: Pendant lamp
Model :5625W5ST
120Vac, 60Hz,AC ONLY
Lamp Size:5"*H4"*E7"



PENDANT LAMP ASSEMBLY INSTRUCTIONS

- 1.Install bulbs(NOT INCLUDED).USE **120V LED**
- 2.Dimmable



5W*1PCS (4000K)

