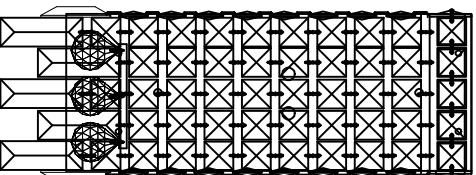


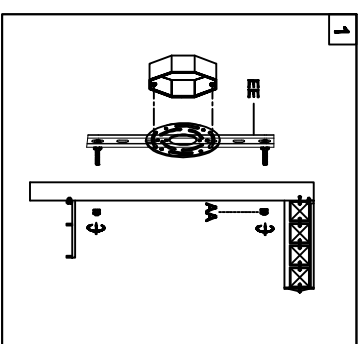
Trade Mark:  
CRYSTAL WORLD INC

Product Name: Wall Lamp  
Model :8031W5C  
120Vac, 60Hz,AC ONLY  
Lamp Size:\W5"XH12"XE5"



## WALL LAMP ASSEMBLY INSTRUCTIONS

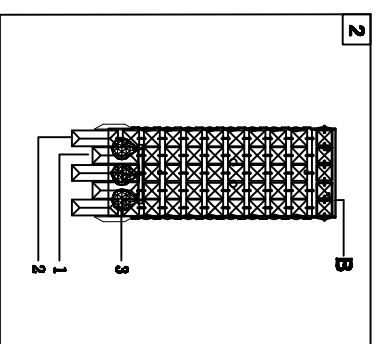
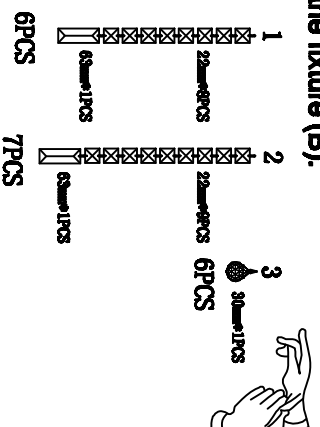
1. Place fixture(A) onto crossbar (EE).  
Secure with cap nuts (AA).



### Hardware Used

AA Cap nut      2      X 2

2. Please hang the crystal(1) (2) (3) to the fixture (B).



3. Install light bulbs (not included).  
Use bulb  
120V E12      2\* 40W Max.

