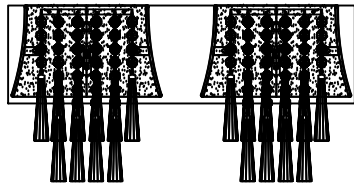


Trade Mark:
CRYSTAL WORLD INC

Product Name: Wall lamp
Model :5532W21C-2
120Vac, 60Hz,AC ONLY
Lamp Size:W21"xH10"xE5"





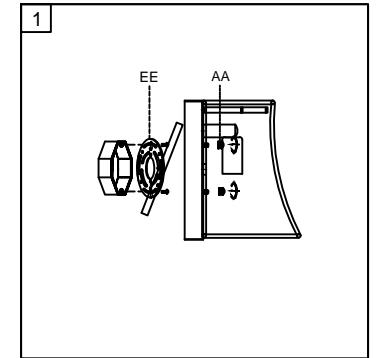
Intertek
4006677

WALL LAMP ASSEMBLY INSTRUCTIONS

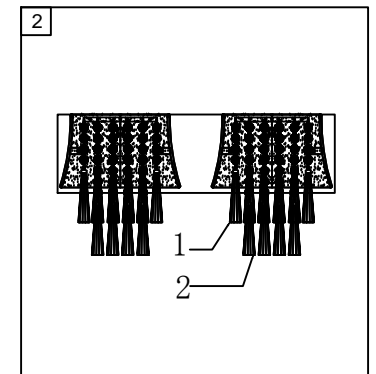
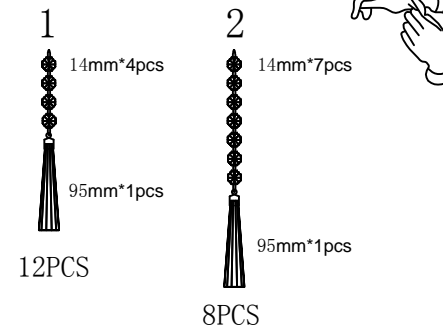
- Place fixture(A) onto Butterfly (EE).
Secure with cap nuts (AA).

Hardware Used

AA Cap nut		X 2
DD Mounting screw		X 2



- Please hang the crystal (1) (2) to the fixture .



- Install light bulbs (not included).
Use bulb
120V G9 2*40W Max.

