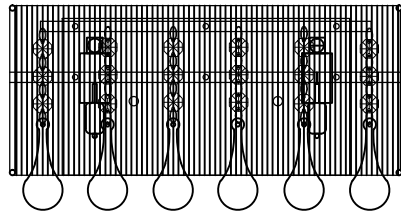


Trade Mark:  
CRYSTAL WORLD INC

Product Name: Wall lamp  
Model :5005W12C-RC  
120Vac, 60Hz, AC ONLY  
Lamp Size:W12"xH7"xE5"

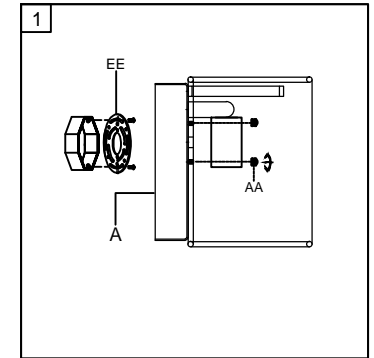


## WALL LAMP ASSEMBLY INSTRUCTIONS


1. Place fixture(A) onto Butterfly (EE).  
Secure with cap nuts (AA).

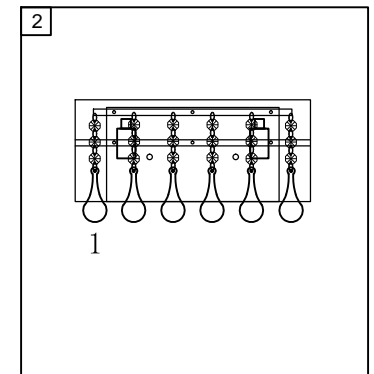
### Hardware Used


AA Cap nut  X 2



2. Please hang the crystal (1) to the fixture.

1  
14mm\*3PCS  
  
30\*70mm\*1PCS  
8PCS



3. Install light bulbs ( not included).  
Use bulb  
**120V G9**  **2\*40W Max.**

