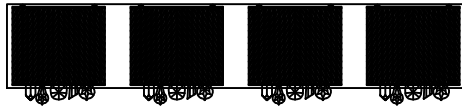


Trade Mark:
CRYSTAL WORLD INC



Product Name: Wall lamp
Model :5562W33C-4
120Vac, 60Hz,AC ONLY
Lamp Size:W33"*H7"*E4"

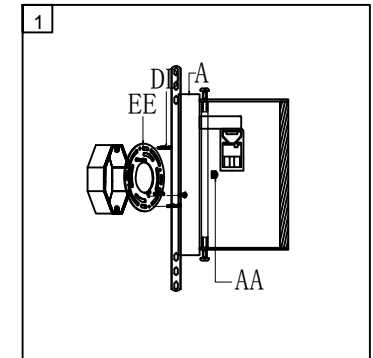


WALL LAMP ASSEMBLY INSTRUCTIONS

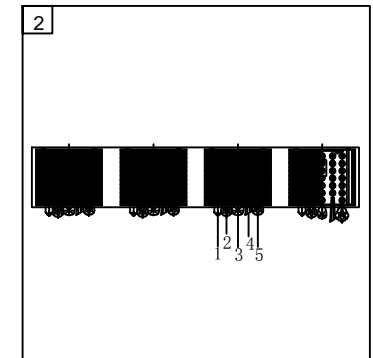
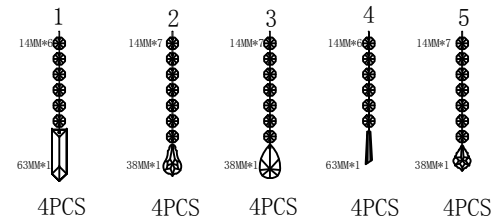
1. Place fixture(A) onto Butterfly (EE).
Secure(DD) with cap nuts (AA).
Install glass shade .

Hardware Used

AA Cap nut		X 2
DD Mounting screw		X 2



2. Please wear gloves
when you hanging the crystal.



3. Install light bulbs (not included).
Use bulb
120V G9 4*40W Max.

