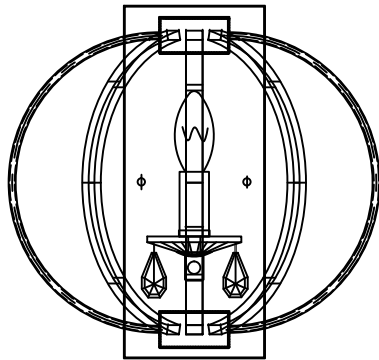


Trade Mark:
CRYSTAL WORLD INC

Product Name: Wall lamp
Model :5025W10C-A
120Vac, 60Hz,AC ONLY
Lamp Size:W10"xH12"xE8"

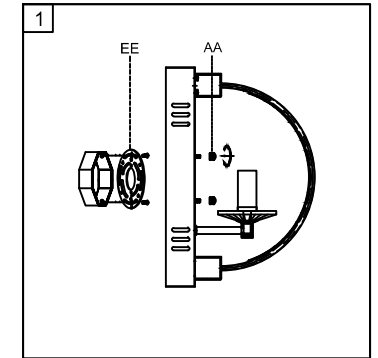


WALL LAMP ASSEMBLY INSTRUCTIONS


1. Place fixture (A) onto Butterfly (EE).
Secure with cap nuts (AA).

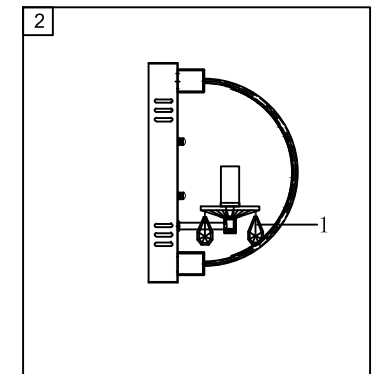
Hardware Used

AA Cap nut  X 2



2. Please hang the crystal (1) to the fixture .

1
 38mm*1pcs
4PCS



3. Install light bulbs (not included).

Use bulb
120V E12  1*40W Max.
120V 4.5W LED DIMMABLE.
(4000K)

