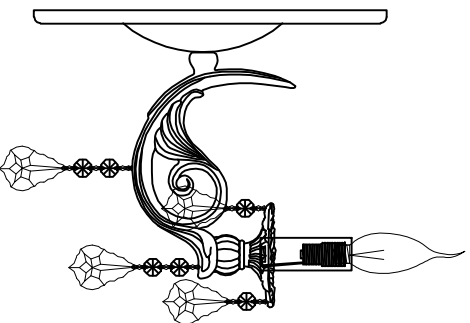


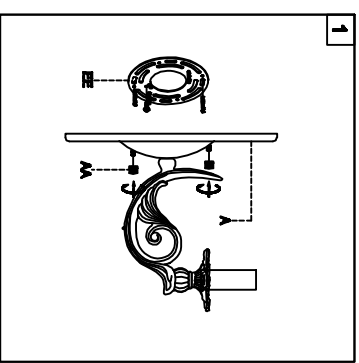
Trade Mark:  
CRYSTAL WORLD INC

Product Name: Wall lamp  
Model :2050W5-1  
120V/ac, 60Hz,AC ONLY  
Lamp Size: W5"xH11"xE8"



## WALL LAMP ASSEMBLY INSTRUCTIONS

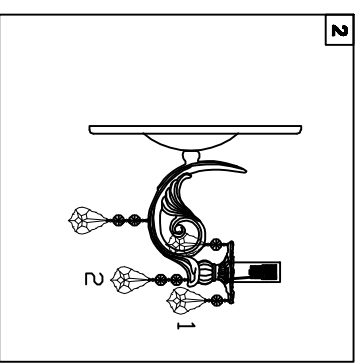
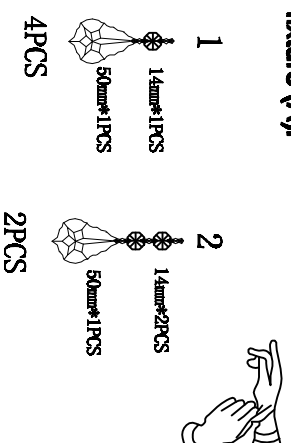
1. Place fixture(A) onto Butterfly (EE).  
Secure with cap nuts (AA).



### Hardware Used

AA Cap nut      2      X 2

2. Please hang the crystal(1) (2) to the fixture (A).



3. Install light bulbs ( not included).  
Use bulb

120V      E12 1x40W Max.

