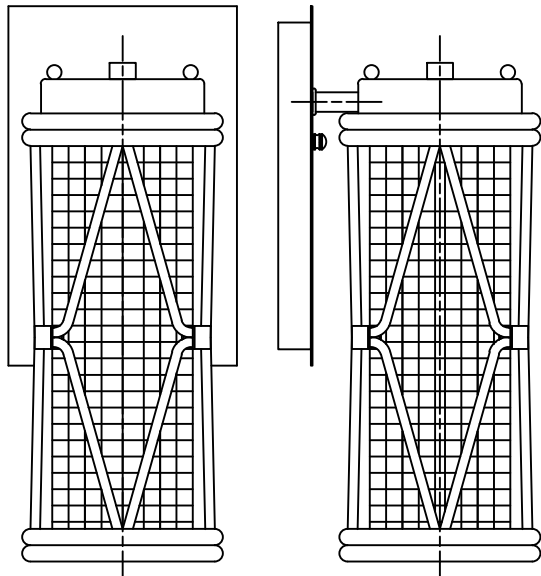


Product Name: Wall lamp  
Model :9914W6-1-204  
120Vac, 60Hz,AC ONLY  
Lamp Size:W6"\*H14"\*E6"



Trade Mark:  
CRYSTAL WORLD INC



## WALL LAMP ASSEMBLY INSTRUCTIONS

Install bulbs ( NOT INCLUDED),USE 120V E26  1\*60W Max.

### Hardware Used

AA Cap nut  X 2  
DD Mounting screw  X 4

