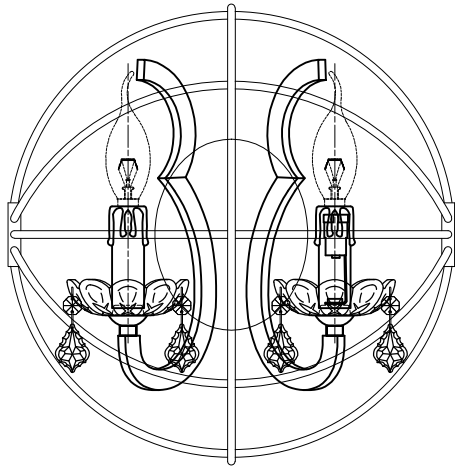


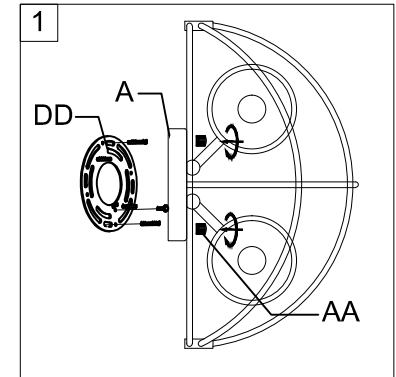
Trade Mark:  
CRYSTAL WORLD INC

Product Name: Wall lamp  
Model :5465W14DB-2  
120Vac, 60Hz,AC ONLY  
Lamp Size:W14"\*H14"\*E8"





## WALL LAMP ASSEMBLY INSTRUCTIONS

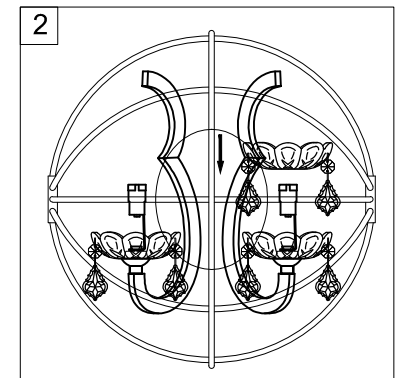
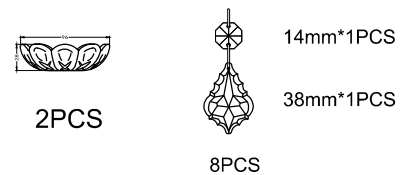
1. Place fixture(A) onto mounting screws (DD). Secure with cap nuts (AA).



### Hardware Used

DD Mounting screw   
AA Cap nut 

2. Please fix(B) with (A) .



3. Install bulbs ( NOT INCLUDED).  
USE  
120V E12 2\*60W Max.

