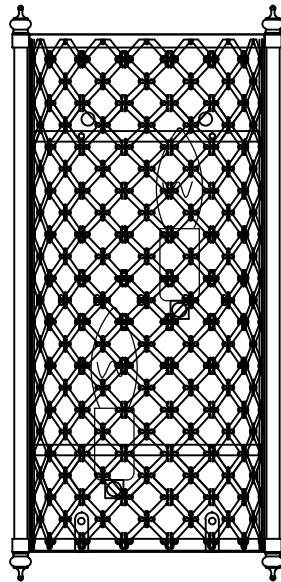


Trade Mark:  
CRYSTAL WORLD INC


Product Name: Wall lamp  
Model :9835W9-605  
120Vac, 60Hz, AC ONLY  
Lamp Size: D9''\*H18''\*E5''

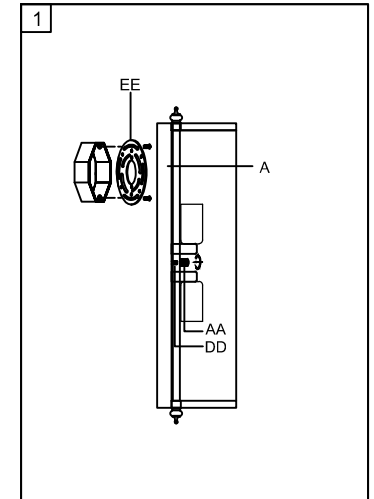



## WALL LAMP ASSEMBLY INSTRUCTIONS

1. Place fixture (A) onto Butterfly (EE).  
Secure with cap nuts (AA).

### Hardware Used

AA Cap nut		X 2
DD Mounting screw		X 2



2. Install light bulbs (not included).  
Use bulb  
**120V E12**  **2\*40W Max.**

