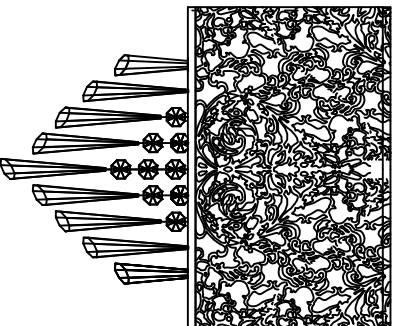


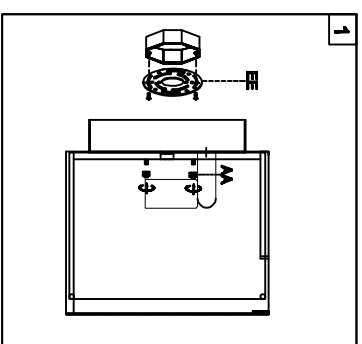
Trade Mark:
CRYSTAL WORLD INC

Product Name: Wall lamp
Model :5318W10ST
120V/ac, 60HZ,AC ONLY
Lamp Size:W10"xH12"xE5"



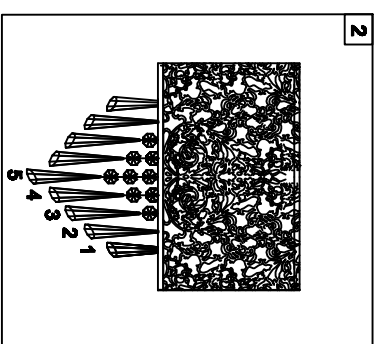
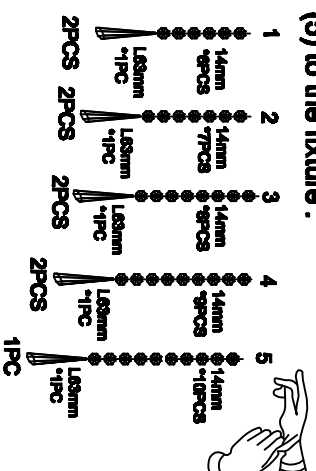
WALL LAMP ASSEMBLY INSTRUCTIONS

1. Place fixture(A) onto Butterfly (EE).
Secure with cap nuts (AA).



Hardware Used
AA Cap nut 2 X 2

2. Please hang the crystal(1) (2) (3) (4) (5) to the fixture .



3. Install light bulbs (not included).
Use bulb
120V G9 **2*40W Max.**

