



## Whirlpool® 7.0 cu. ft. Top Load Electric Dryer with AutoDry™ Drying System

YWED4850HW

### Available Finishes/Colours

<input type="checkbox"/>	YWED4850HW White
--------------------------	---------------------

### Dimensions

Height	43
Width	29
Depth	28 1/4
Depth With Door Open 90 Degree	42

### Configuration and Overview

Fuel Type	Electric
Capacity	7.00

### Cycle and Options

Number of Dryer Cycles	12
Advanced Moisture Sensor	No
Cycle Time Remaining	No
EcoBoost™/Energy Saver	No
Lint Filter Indicator	No

### Cycle and Options

Sound Package	No
Dryer Option Selections	Freshen Up, Damp Dry Signal, Wrinkle Shield™
Temperature Selections	High, Low, Medium

### Style and Extras

Drum Material	Powder Coat
Drying Rack	No
Interior Light	Yes
Pedestal Options	No
Stackable	No

Care for the whole family's fabrics with this large capacity top load dryer. Choose between the AutoDry™ system, which helps prevent overdrying, or Timed Dry, which lets you manually control your drying schedule. Help keep wrinkles from setting in with the Wrinkle Shield™ option.

### Top Features

**AutoDry™ Drying System**

**Wrinkle Shield™ Option**

**Timed Dry**

### Manuals & Literature:

 [Dimension Guide](#)  [Installation Instructions](#)

 [Warranty](#)



## Gas and Electric Dryer PRODUCT MODEL NUMBERS

WED4950HW, WGD4950HW, WED4850HW,  
WGD4850HW, YWED4850HW

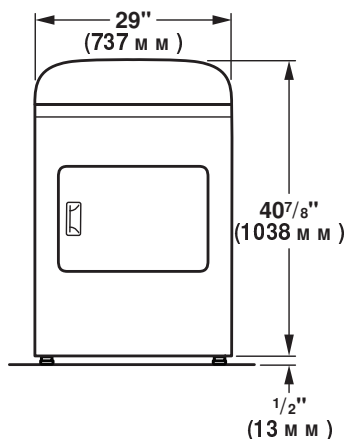
### Installation clearances:

For each arrangement, consider allowing more space for ease of installation and servicing, spacing for companion appliances, and clearances for walls, doors, and door moldings. Space must be large enough to allow door to fully open. Add spacing on all sides of dryer to reduce noise transfer. If a closet door or louvered door is installed, top and bottom air openings in door are required.

Check code requirements. Some codes limit, or do not permit, installation of the dryer in garages, closets, mobile homes, or sleeping quarters. Contact your local building inspector.

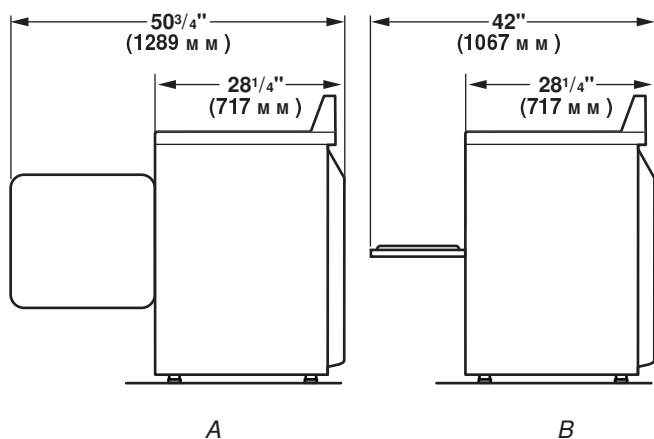
### Dryer Dimensions

#### Front View



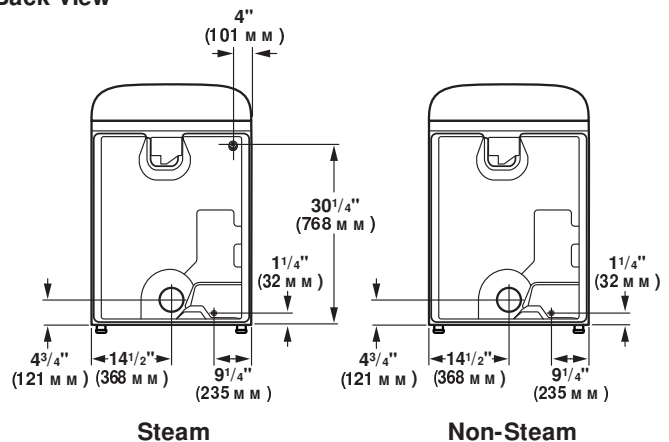
**NOTE:** Minimum height of leveling legs should be 1/2" (13 mm), or high enough for dryer to match the height of the accompanying washer.

#### Side View



A. Wide opening side-swing door  
B. Wide opening hamper door

#### Back View



### Installation spacing for recessed area or closet

The dimensions shown are for the minimum spacing allowed.

Additional spacing should be considered for ease of installation and servicing.

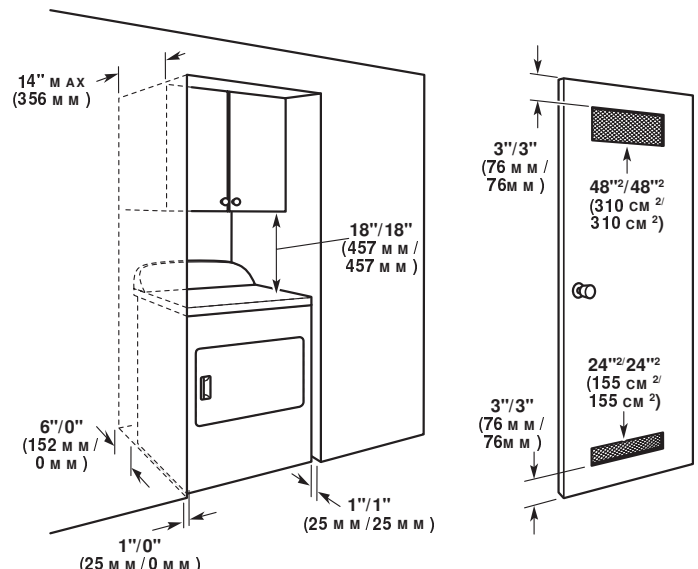
Additional clearances might be required for wall, door, and door moldings.

Additional spacing of 1" (25 mm) on all sides of the dryer is recommended to reduce noise transfer.

For closet installation, with a door, minimum ventilation openings in the top and bottom of the door are required. Louvered doors with equivalent ventilation openings are acceptable.

Companion appliance spacing should also be considered.

### Installation Spacing



Recommended/Minimum spacing

# INSTALLATION REQUIREMENTS

## GAS SUPPLY REQUIREMENTS

Gas supply: This dryer is equipped for use with Natural gas. Dryer can be converted to L.P. gas. When rigid pipe is used it should be 1/2" IPS. 3/8" approved aluminum or copper tubing may be used for lengths under 20 ft (6.1 m) if local codes and gas supplier permit. Lengths over 20 ft (6.1 m) should use larger tubing and a different size adapter fitting. Pipe-joint compounds resistant to the action of L.P. gas must be used. An individual manual shut-off valve must be installed within 6 ft (1.8 m) of the dryer in accordance with the National Fuel Gas Code ANSI Z223.1.

## ELECTRICAL REQUIREMENTS – Gas models only

Use a 3- or 4-wire, single-phase, 120/240 volt, 60 Hz, AC-only electrical supply (or 3- or 4-wire, 120/208 volt electrical supply, if specified on the serial/rating plate) on a separate 30 amp circuit, fused on both sides of the line. Connect to an individual branch circuit. Do not have a fuse in the neutral or grounding circuit. Do not use an extension cord.

## ELECTRICAL REQUIREMENTS – Electric models only

Use a 3- or 4-wire, single-phase, 120/240 volt, 60 Hz, AC-only electrical supply (or 3- or 4-wire, 120/208 volt electrical supply, if specified on the serial/rating plate) on a separate 30 amp circuit, fused on both sides of the line. Connect to an individual branch circuit. Do not have a fuse in the neutral or grounding circuit. Do not use an extension cord.

## WATER (STEAM MODELS ONLY) REQUIREMENTS

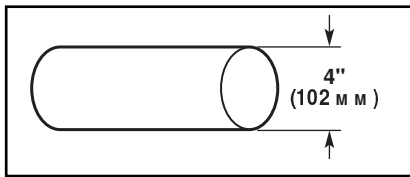
The dryer must be connected to the cold water faucet using new inlet hoses. Do not use old hoses. Do not overtighten. Damage to the coupling can result. A cold water faucet should be located within 4 ft. (1.2 m) of the water fill valves, and should have water pressure of 20–100 psi (137.9–689.6 kPa). You may use the water supply for your washer using the "Y" connector and short hose, which are provided.

## VENTING REQUIREMENTS

**WARNING:** To reduce the risk of fire, this dryer **MUST BE EXHAUSTED OUTDOORS.**

**IMPORTANT:** Observe all governing codes and ordinances.

Dryer exhaust must not be connected into any gas vent, chimney, wall, ceiling, attic, crawlspace, or a concealed space of a building. Only rigid or flexible metal vent shall be used for exhausting.



**4" (102 mm) heavy metal exhaust vent**

Only a 4" (102 mm) heavy metal exhaust vent and clamps may be used.

Do not use plastic or metal foil vent.

### Rigid metal vent:

Recommended for best drying performance and to avoid crushing and kinking.

### Flexible metal vent (Acceptable only if accessible to clean):

Must be fully extended and supported in final dryer location.

Remove excess to avoid sagging and kinking that may result in reduced airflow and poor performance.

Do not install in enclosed walls, ceilings, or floors.

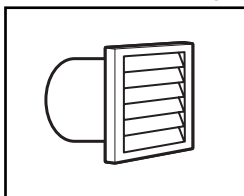
The total length should not exceed 7<sup>3</sup>/<sub>4</sub> ft. (2.4 m).

**NOTE:** If using an existing vent system, clean lint from entire length of the system and make sure exhaust hood is not plugged with lint. Replace plastic or metal foil vents with rigid metal or flexible metal vents. Review "Vent System Chart" and, if necessary, modify existing vent system to achieve best drying performance.

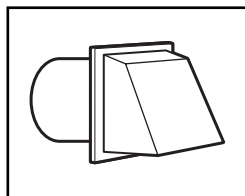
### Exhaust hoods:

Must be at least 12" (305 mm) from ground or any object that may obstruct exhaust (such as flowers, rocks, bushes, or snow).

### Recommended Styles:

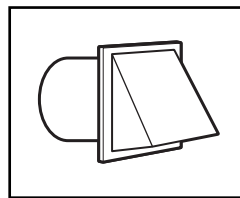


**Louvered hood**



**Box hood**

### Acceptable Style:



**Angled hood**

### Determine vent path:

Select route that will provide straightest and most direct path outdoors.

Plan installation to use fewest number of elbows and turns.

When using elbows or making turns, allow as much room as possible.

Bend vent gradually to avoid kinking.

Use as few 90° turns as possible.

### Determine vent length and elbows needed for best drying performance:

Use following "Vent System Chart" to determine type of vent material and hood combinations acceptable to use.

**NOTE:** Do not use vent runs longer than those specified in "Vent System Chart." Exhaust systems longer than those specified will:

Shorten life of dryer.

Reduce performance, resulting in longer drying times and increased energy usage.

The "Vent System Chart" provides venting requirements that will help achieve best drying performance.

Vent System Chart			
Number of 90° turns or elbows	Type of vent	Box/louvered hoods	Angled hoods
0	Rigid metal	64 ft. (20 m)	58 ft. (17.7 m)
1	Rigid metal	54 ft. (16.5 m)	48 ft. (14.6 m)
2	Rigid metal	44 ft. (13.4 m)	38 ft. (11.6 m)
3	Rigid metal	35 ft. (10.7 m)	29 ft. (8.8 m)
4	Rigid metal	27 ft. (8.2 m)	21 ft. (6.4 m)