

# Dishwashers

FGID2476S F/W/B

## 24" Built-In



### Product Dimensions

Height (Adjustable)	33-3/4" - 35-3/4"
Width	24"
Depth (Including Door)	24-1/4"

### More Easy-To-Use Features

**Smudge-Proof™ Stainless Steel<sup>4</sup>**  
Resists fingerprints and cleans easily.

**Clean Dishes of All Sizes**  
Loading your dishwasher is no longer a puzzle with our SpaceWise® Adjustable Rack, which adjusts to fit oversized dishes and kitchen tools of all shapes and sizes.

**Ready-to-Use Dish Alert**  
Know when your dishes are clean with LED Floor Beam Indicator, which beams a green light alerting you that your dishes are mealtime-ready.

**Stay-In-Place Door**  
The door stays put at whatever angle you open it for easy loading and unloading.

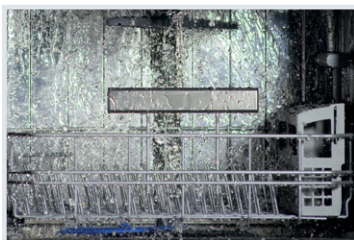
**24-Hour Delay Start**  
Set your dishwasher in advance to run on your schedule. It can be set to run 1-24 hours in advance.

**Cleans 14 Place Settings**  
Clean up to 14 place settings in one cycle.

**Efficient Water Usage**  
Cleans a full load of dishes using 15% less water<sup>5</sup>.

**Stainless Steel Interior and Filtration**  
Durable, stainless steel interior with removable, stainless steel filter, which prevents re-depositing of food particles.

## Signature Features



### A Complete Clean

Clean dishes in one cycle with OrbitClean® Wash System, which uses four times more water coverage<sup>1</sup> for a complete clean.



### Remarkable Dry

Dishes come out remarkably dry every time with EvenDry™<sup>2</sup>.



### Best 30-Minute Clean

Don't wait when dishes can be cleaned with the best 30-Minute Quick Clean<sup>3</sup>.



### Automatically Adjusts Cycles

DishSense™ Technology automatically adjusts the cycle time based on the level of clean that your dishes need for an efficient clean.

ENERGY STAR®

NSF® International Certification



Available in:



Stainless (F)



White (W)



Black (B)

<sup>1</sup> Than a traditional spray arm.

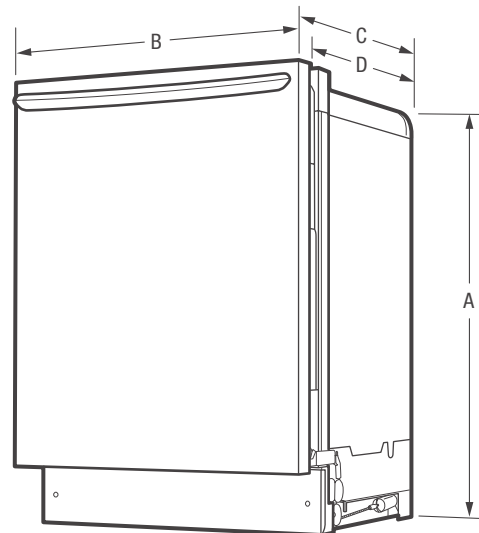
<sup>2</sup> When used with rinse aid.

<sup>3</sup> Tested against competing models with comparable quick cycle times according to ANSI/AHAM DW-1-2010 with only 6 place settings.

<sup>4</sup> Select model only.

<sup>5</sup> Over a year when using normal cycle in our stainless tub compared to our plastic tub.

Features	
Control Design	Fully-Integrated Express-Select®
Digital Display	Yes
Door Latch/Stay-Put Door Hinge Design	Yes/Yes
Low Rinse-Aid Indicator Light	
Interior Color/Interior Design	Stainless Steel/Tall Tub
Wash System	Direct Feed
Wash Arm	OrbitClean®
Wash Levels/Wash Speeds	5/5
DishSense™ Technology	Yes
AquaSurge™ Technology	Yes
Sound Package	SilentDesign™
Filter/Filter Trap	S. Steel/Removable
Soft Food Disposer	
dB Level	51
Drying System	EvenDry™
Cycles	
Number of Cycles	8
PowerPlus™ (Heavy)	Yes
Normal	Yes
Light	
Quick Wash (30-Min.)	Yes
Favorite	Yes
China Crystal	Yes
Rinse Only	Yes
Energy Saver Plus	Yes
Upper Rack Wash Only	Yes
Cycle Indicator Light/Control Lock	No/Yes
Cycle Complete Floor Beam Indicator	LED
Options	
Heat/No Heat Dry	Yes/Yes
Hi-Temp Wash	Yes
NSF® Certified Sanitize Rinse	Yes
Delay Start	1-24 Hour
Rack System	
Rack Design	Deluxe
Rack Coating	Nylon TufRacks™
Upper Rack -	
Rack Handles	
Stemware/Champagne Glass Holders	Yes
Fold-Down Tines	Yes
Cup Shelves/Stemware Grips	2/No
Versa-Tray™	
Adjustable Rack	Yes
Lower Rack -	
SpaceWise® Silverware Basket	3-Piece Split
Fold-Down Tines	2 Full Rows
Small Items Cover	2
Third-Level Rack (Single Tray)	
Certifications	
ENERGY STAR®	Yes
NSF® International Certification	Yes
Specifications	
Water Inlet Location	Left Bottom Front
Water Usage (Gallons)	4.0 - 8.0
Water Pressure (PSI)	20 - 120
Integral Air Gap on Supply	Yes
Leveling Legs	Yes
Power Supply Connection Location	Right Bottom Front
Voltage Rating	120V / 60 Hz / 15A
Connected Load (kW Rating) @ 120 Volts¹	1.44
Amps @ 120 Volts	15.0
Shipping Weight (Approx.)	91 Lbs.



**NOTE:** For planning purposes only. Always consult local and national electric and plumbing codes. Refer to Product Installation Guide for detailed installation instructions on the web at [frigidaire.com](http://frigidaire.com).



Product Dimensions	
A - Height (Adjustable)	33-3/4" - 35-3/4"
B - Width	23-3/4"
C - Depth (Including Door)	24-1/4"
D - Depth (To Tub Flange)	22-1/2"
Depth with Door Open 90°	50-1/4"

Cutout Dimensions	
Height (Min.)	34"
Height (Max.)	35-3/4"
Width (Min.)	24"
Depth (Min.)	24"

<sup>1</sup>For use on adequately wired 120V, dedicated circuit having 2-wire service with a separate ground wire. Appliance must be grounded for safe operation.

Accessories information available on the web at [frigidaire.com](http://frigidaire.com)

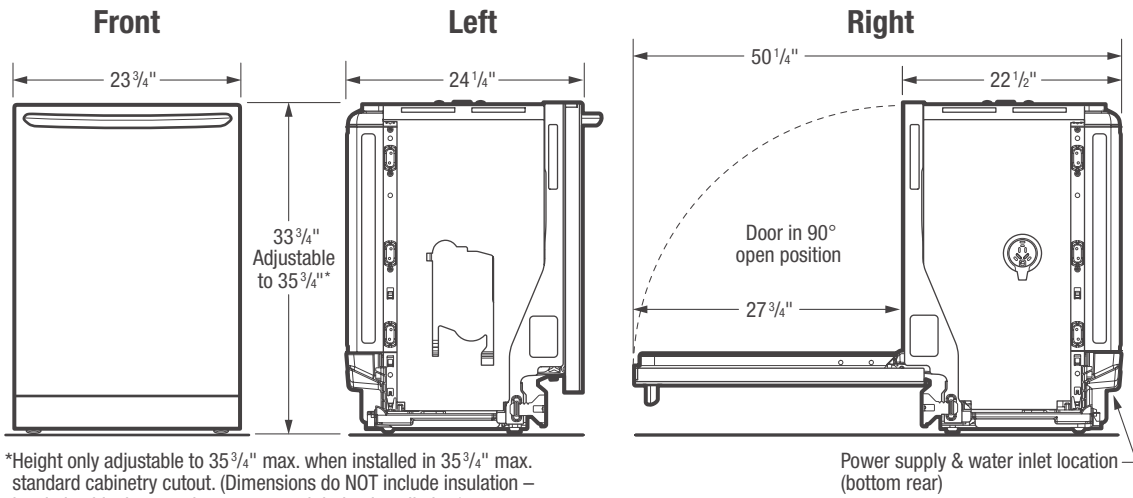
**FRIGIDAIRE**

USA • 10200 David Taylor Drive • Charlotte, NC 28262 • 1-800-FRIGIDAIRE • [frigidaire.com](http://frigidaire.com)  
CANADA • 5855 Terry Fox Way • Mississauga, ON L5V 3E4 • 1-800-265-8352 • [frigidaire.ca](http://frigidaire.ca)

FGID2476S 03/17

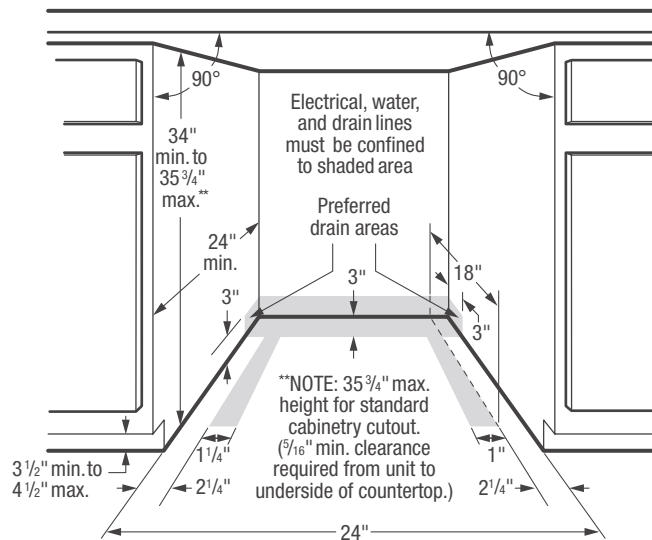
© 2017 Electrolux Home Products, Inc.

Specifications subject to change.



\*Height only adjustable to 35 3/4" max. when installed in 35 3/4" max. standard cabinetry cutout. (Dimensions do NOT include insulation – insulation blanket may be compressed during installation.)

Power supply & water inlet location (bottom rear)



**Dishwasher Specifications**

- Product Shipping Weight (approx.) - 91 Lbs.
- Voltage Rating - 120V / 60 Hz / 15 Amps (maximum 20 Amps if connected with disposer)
- Connected Load (kW Rating) @ 120 Volts = 1.44 kW (For use on adequately wired 120V, dedicated circuit having 2-wire service with a separate ground wire. Appliance must be grounded for safe operation.)
- Amps @ 120V = 15 Amps
- Always consult local and national electric & plumbing codes. Meets requirements of ASSE 1006 – integral air gap on supply.
- Water Pressure - Hot water line to dishwasher must provide between 20 and 120 pounds per square inch (psi) with at least 120° F hot water temperature.
- Make sure location has correct drain, water and electrical outlets to make connections – MUST be confined to shaded areas.
- Electrical and water supplies should enter cabinet opening on floor, or through back or side walls, as shown in shaded areas.
- Keep back free of drain, water & electrical supply.
- Connections preferably located toward left side of dishwasher. Do not cross drain, water or electrical lines in front of motor, blower or frame.

- If connecting drain hose to sink trap, local code may require installation of Air Gap Kit (not included).
- Leveling legs supplied to adjust height. (Note: Height only adjustable to 35-3/4" max. when installed in 35-3/4" max. standard cabinetry cutout. 5/16" min. clearance required from top of unit to underside of countertop. Dimensions do NOT include insulation – insulation blanket may be compressed during installation.)
- When installing adjacent to wall, cabinet or other obstruction that extends beyond front edge of unit, allow 2" minimum clearance between opened door and obstruction.
- Floor should be flat and free of obstructions with carpet removed to provide motor clearance.
- When installing at end of cabinet line, sides and back must be fully enclosed.
- Do not install unit under a cooktop, damage will occur.
- Recommended to seal cabinets, enclosing all sides of dishwasher, including underside of countertop, with oil-based paint or moisture-proof polyurethane to prevent possible steam/moisture damage.

**Note:** For planning purposes only. Refer to Product Installation Guide on the web at [frigidaire.com](http://frigidaire.com) for detailed instructions.